

# PARTS MANUAL



## **WHISPERWATT™ SERIES MODEL DCA25SSIU4F 60Hz GENERATOR (ISUZU 4LE2T DIESEL ENGINE)**

**PARTS LIST NO. M1871300104F**

Revision #4 (07/28/21)

To find the latest revision of this publication or associated operation manual, visit our website at: [www.mqpower.com](http://www.mqpower.com)



**THIS MANUAL MUST ACCOMPANY THE EQUIPMENT AT ALL TIMES.**

## **DCA25SSIU4F 60Hz Generator**

Table Of Contents.....	2
Explanation Of Code In Remarks Column.....	4
Suggested Spare Parts .....	5

### **Component Drawings**

Generator Assembly.....	6–7
Control Panel Assembly .....	8–9
Control Box 1 Assembly .....	10–13
Control Box 2 Assembly .....	14–15
Engine And Radiator Assembly.....	16–19
Output Terminal Assembly.....	20–21
Battery Assembly.....	22–23
Muffler Assembly .....	24–25
Fuel Tank Assembly.....	26–27
Enclosure Assembly .....	28–33
Rubber Seals Assembly .....	34–35
Battery Charger Assembly (Option).....	36–37
Block Heater Assembly (Option) .....	38–39
Nameplate And Decals Assembly .....	40–43

#### **NOTICE**

Specifications and part numbers are subject to change without notice.



# EXPLANATION OF CODE IN REMARKS COLUMN

The following section explains the different symbols and remarks used in the Parts section of this manual. Use the help numbers found on the back page of the manual if there are any questions.

**NOTICE**

The contents and part numbers listed in the parts section are subject to change **without notice**. Multiquip does not guarantee the availability of the parts listed.

## SAMPLE PARTS LIST

NO.	PART NO.	PART NAME	QTY.	REMARKS
1	12345	BOLT .....	1	INCLUDES ITEMS W/%
2%		WASHER, 1/4 IN. ....		NOT SOLD SEPARATELY
2%	12347	WASHER, 3/8 IN. ...	1	MQ-45T ONLY
3	12348	HOSE .....	A/R	MAKE LOCALLY
4	12349	BEARING .....	1	S/N 2345B AND ABOVE

### NO. Column

**Unique Symbols** — All items with same unique symbol (@, #, +, %, or >) in the number column belong to the same assembly or kit, which is indicated by a note in the “Remarks” column.

**Duplicate Item Numbers** — Duplicate numbers indicate multiple part numbers, which are in effect for the same general item, such as different size saw blade guards in use or a part that has been updated on newer versions of the same machine.

**NOTICE**

When ordering a part that has more than one item number listed, check the remarks column for help in determining the proper part to order.

### PART NO. Column

**Numbers Used** — Part numbers can be indicated by a number, a blank entry, or TBD.

TBD (To Be Determined) is generally used to show a part that has not been assigned a formal part number at the time of publication.

A blank entry generally indicates that the item is not sold separately or is not sold by Multiquip. Other entries will be clarified in the “Remarks” Column.

### QTY. Column

**Numbers Used** — Item quantity can be indicated by a number, a blank entry, or A/R.

A/R (As Required) is generally used for hoses or other parts that are sold in bulk and cut to length.

A blank entry generally indicates that the item is not sold separately. Other entries will be clarified in the “Remarks” Column.

### REMARKS Column

Some of the most common notes found in the “Remarks” Column are listed below. Other additional notes needed to describe the item can also be shown.

**Assembly/Kit** — All items on the parts list with the same unique symbol will be included when this item is purchased.

Indicated by:

“INCLUDES ITEMS W/(unique symbol)”

**Serial Number Break** — Used to list an effective serial number range where a particular part is used.

Indicated by:

“S/N XXXXX AND BELOW”

“S/N XXXX AND ABOVE”

“S/N XXXX TO S/N XXX”

**Specific Model Number Use** — Indicates that the part is used only with the specific model number or model number variant listed. It can also be used to show a part is NOT used on a specific model or model number variant.

Indicated by:

“XXXXX ONLY”

“NOT USED ON XXXX”

**“Make/Obtain Locally”** — Indicates that the part can be purchased at any hardware shop or made out of available items. Examples include battery cables, shims, and certain washers and nuts.

**“Not Sold Separately”** — Indicates that an item cannot be purchased as a separate item and is either part of an assembly/kit that can be purchased, or is not available for sale through Multiquip.

## SUGGESTED SPARE PARTS

### DCA25SSIU4F WHISPERWATT GENERATOR WITH ISUZU 4LE2T DIESEL ENGINE

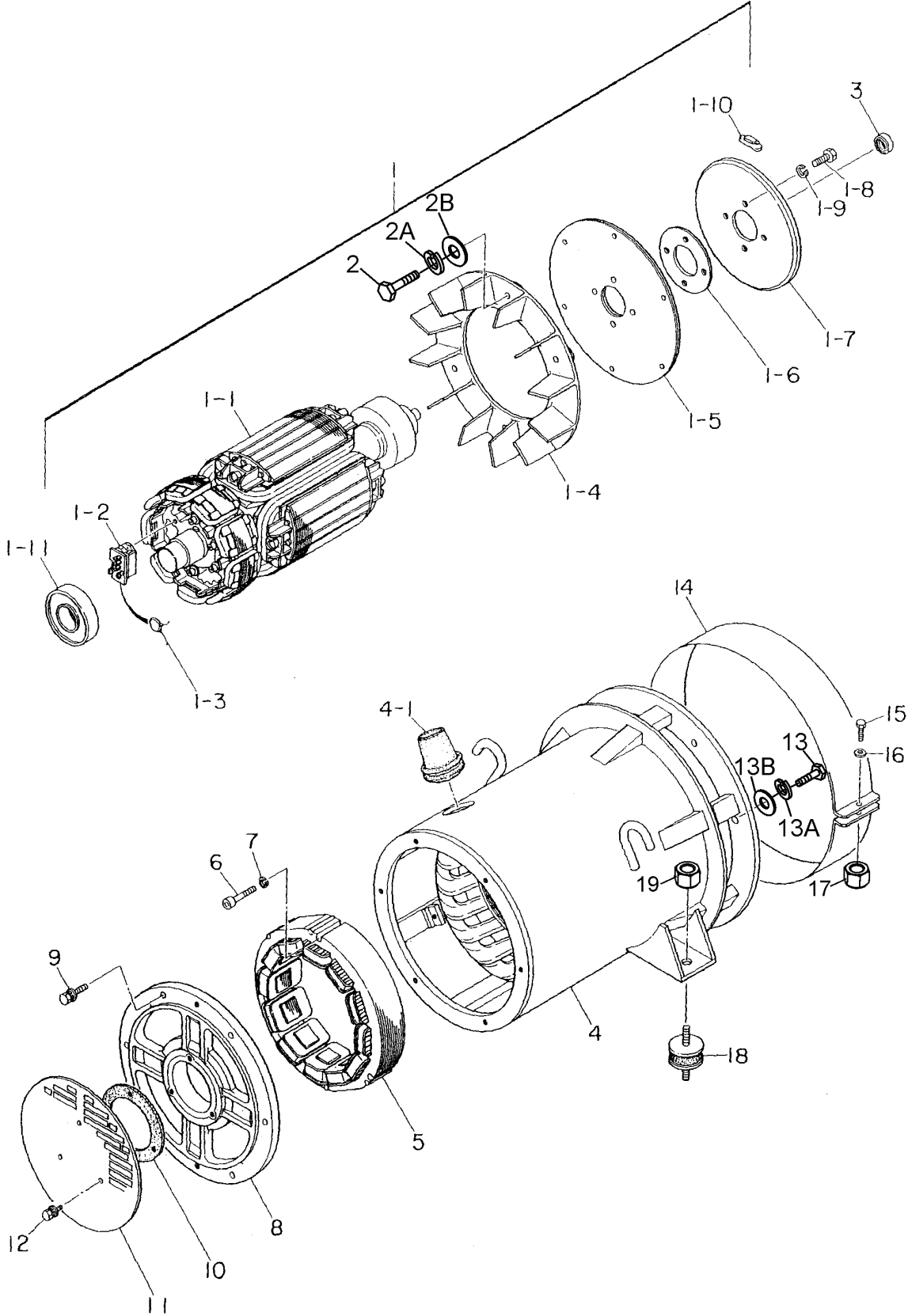
#### 1 TO 3 UNITS

Qty.	P/N	Description
6	2944566410	ELEMENT, OIL FILTER
3	PMAF25436	PRIMARY AIR FILTER (INNER)
3	P822769	SAFETY AIR FILTER (OUTER)
6	8982402790	ELEMENT, FUEL FILTER (MAIN)
6	8982402800	ELEMENT, FUEL FILTER (PRE)
3	8981731650	KIT, FUEL FEED PUMP
1	Y0601802133	FUSE, 5A
1	Y0601806683	FUSE, 8A
3	0601802149	FUSE, 10A
2	0601806671	FUSE, 15A
1	0601806644	FUSE, 30A
1	0601806640	FUSE, 65A
2	0601810277	BULB, LAMP
2	0601870440	CIRCUIT BREAKER 1P 20A
2	0601870441	CIRCUIT BREAKER 2P 50A
1	0605505070	CAP, FUEL TANK

#### NOTICE

Part number on this Suggested Spare Parts list may supersede/replace the P/N shown in the text pages of this book.

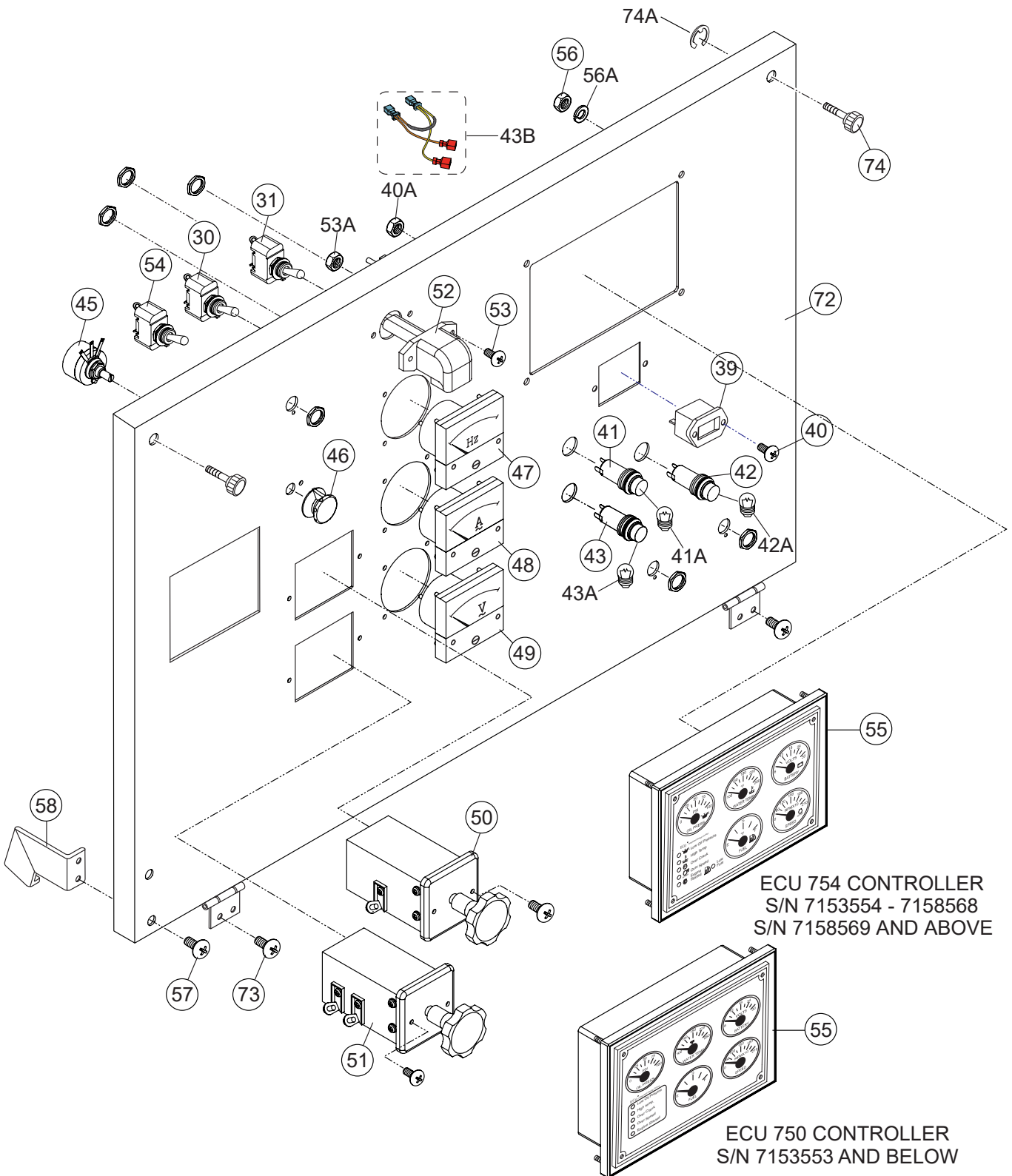
# GENERATOR ASSY.



## GENERATOR ASSY.

<u>NO.</u>	<u>PART NO.</u>	<u>PART NAME</u>	<u>QTY.</u>	<u>REMARKS</u>
1	B1110200602	ROTOR ASSY. ....	1.....	INCLUDES ITEMS W/#
1-1#		FIELD ASSY.	1	
1-2#	7961025004	RECTIFIER	1	
1-3#	0601822630	SURGE ABSORBER	1	
1-4#	8001070003	FAN	1	
1-5#	8351611004	COUPLING DISK	2	
1-6#	8351612004	WASHER, COUPLING HUB	1	
1-7#	B1112300003	BALANCING PLATE .....	1.....	PURCHASE ITEM 1-10 AS A SET
1-8#	0105091025	HEX. HEAD BOLT .....	4.....	REPLACES P/N 0010310025
1-9#	030210250	WASHER, LOCK.....	4.....	REPLACES P/N 0042510000
1-10#	0601000209	BALANCING WEIGHT KIT	1	
1-11#	042006308	BEARING.....	1.....	REPLACES P/N 0071906308
2	0010308035	HEX. HEAD BOLT	6	
2A	0040008000	WASHER, LOCK	6	
2B	0401450080	WASHER, FLAT .....	6.....	REPLACES P/N 0041208000
3	0070506803	BEARING	1	
4	B1130201103	STATOR ASSY.	1	
4-1	0845041904	GROMMET	1	
5	B1138000003	FIELD ASSY., EXCITER	1	
6	0016008045	HEX. SOCKET HEAD CAP	3	
7	0042508000	WASHER, LOCK	3	
8	8351315003	END BRACKET	1	
9	0017108035	HEX. HEAD BOLT	6	
10	8351312004	PACKING	1	
11	8351331004	COVER, SUCTION	1	
12	011106015	HEX. HEAD BOLT .....	3.....	REPLACES P/N 0017106015
13	012010030	HEX. HEAD BOLT .....	6.....	REPLACES P/N 0010310030
13A	0040010000	WASHER, LOCK	6	
13B	031110160	WASHER, FLAT .....	6.....	REPLACES P/N 0041210000
14	B0155400204	COVER, FAN	1	
15	0010006030	HEX. HEAD BOLT .....	1.....	REPLACES P/N 0010106030
16	952404470	WASHER, FLAT .....	1.....	REPLACES P/N 0041206000
17	020106050	NUT.....	1.....	REPLACES P/N 0600815000
18	Y0605000409	RUBBER SUSPENSION	2	
19	021112140	SELF-LOCKING NUT .....	2.....	REPLACES P/N 0207010000

# CONTROL PANEL ASSY.

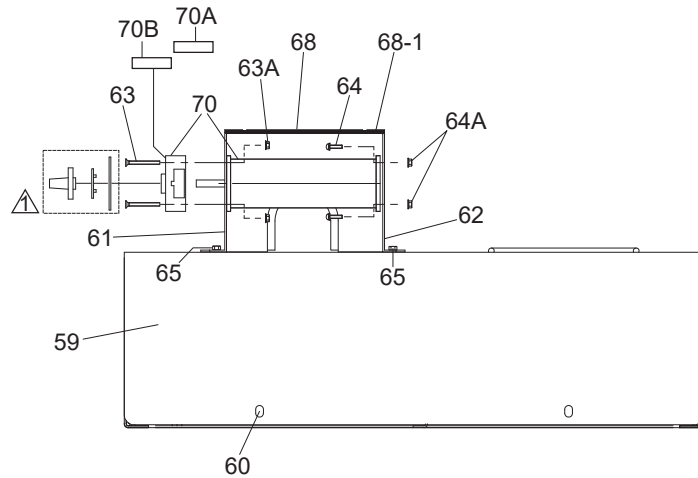




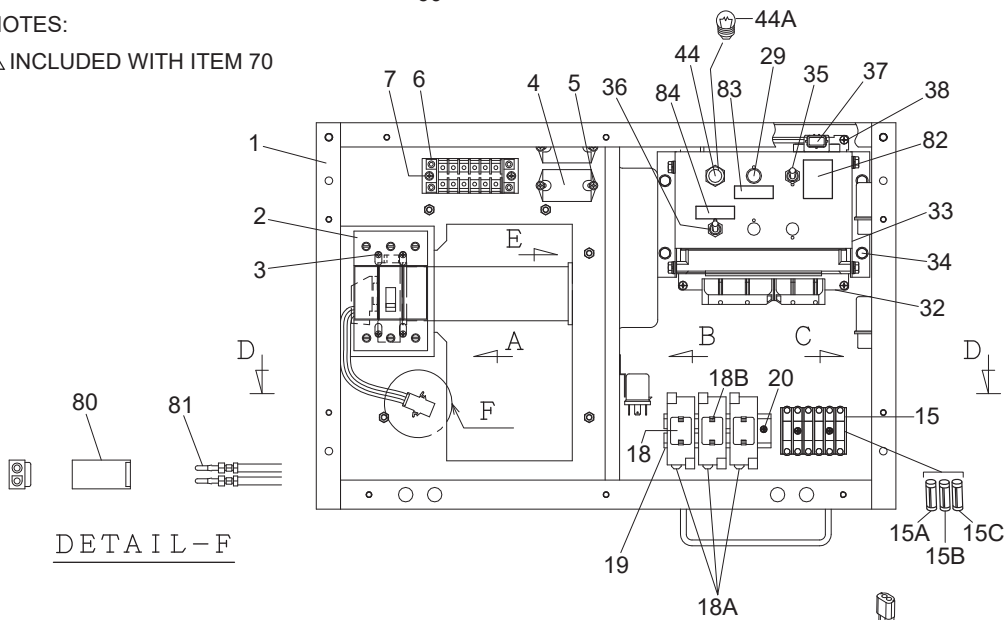
## CONTROL PANEL ASSY.

<u>NO.</u>	<u>PART NO.</u>	<u>PART NAME</u>	<u>QTY.</u>	<u>REMARKS</u>
30	82608	AUTO START/STOP SWITCH .....	1.....	REPLACES P/N 0601831340
31	0601830710	ENGINE SPEED SWITCH	1	
39	0601800682	HOUR METER	1	
40	0027103015	MACHINE SCREW	2	
40A	0207003000	SELF-LOCKING NUT	2	
41	0602103092	FUEL LEAK DETECTED ALARM LAMP 18V....	1.....	INCLUDES ITEMS W/#
41A#	0601810277	BULB, 18V	1	
42	0602103092	PREHEAT LAMP 18V .....	1.....	INCLUDES ITEMS W/\$
42A\$	0601810277	BULB, 18V	1	
43	0602103092	WARNING LAMP 18V.....	1.....	INCLUDES ITEMS W/%
				S/N 7158008 AND BELOW
43	Y0601814453	WARNING LED LAMP.....	1.....	S/N 7158009 AND ABOVE
43A%	0601810277	BULB, 18V .....	1.....	S/N 7158008 AND BELOW
43B	M1358203504	RESISTOR HARNESS .....	1.....	S/N 7158009 AND ABOVE
45	0601840073	RHEOSTAT (VR) 2W 1K OHM	1	
46	0601840100	KNOB.....	1.....	REPLACES P/N 0601840121
47	0601807641	FREQUENCY METER, 45-65HZ 240V	1	
48	0601808985	AC AMMETER 0~50A, 0~100A/5A	1	
49	0601806859	AC VOLTMETER 0~600V	1	
50	0601801040	CHANGE-OVER SWITCH, AMMETER	1	
51	0601801041	CHANGE-OVER SWITCH, VOLTMETER	1	
52	Y0601810170	PANEL LIGHT 12V	1	
53	0027104020	MACHINE SCREW	2	
53A	OEMAA8	SELF-LOCKING NUT .....	2.....	REPLACES P/N 0207004000
54	0601830710	PANEL LIGHT SWITCH	1	
55	Y0602202653	CONTROLLER, ECU750.....	1.....	S/N 7153553 AND BELOW
55	Y0602203045	CONTROLLER, ECU754.....	1.....	S/N 7153554 - 7158568
55	Y0602203074	CONTROLLER, ECU754.....	1.....	S/N 7158569 AND ABOVE
56	Y0206707000	HEX. NUT	4	
56A	Y0044807000	WASHER, LOCK	4	
57	M1223100104	STOPPER	1	
58	0027105010	MACHINE SCREW	2	
72	M1224000103	CONTROL PANEL	1	
73	0027105010	MACHINE SCREW	4	
74	M9220100004	SET SCREW	2	
74A	0080200007	E-SNAP RING	2	

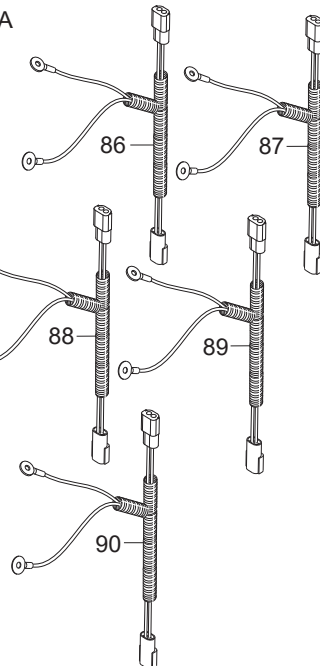
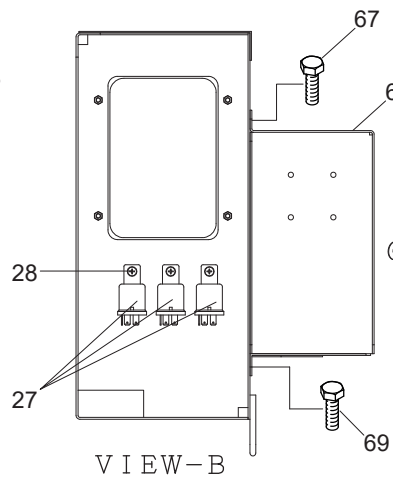
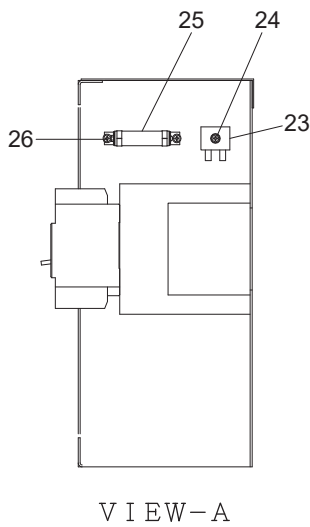
# CONTROL BOX 1 ASSY.



NOTES:  
 ▲ INCLUDED WITH ITEM 70



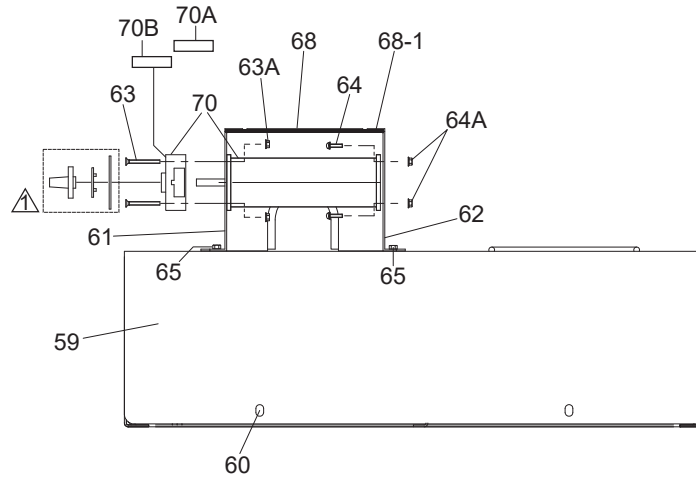
DETAIL-F



## CONTROL BOX 1 ASSY.

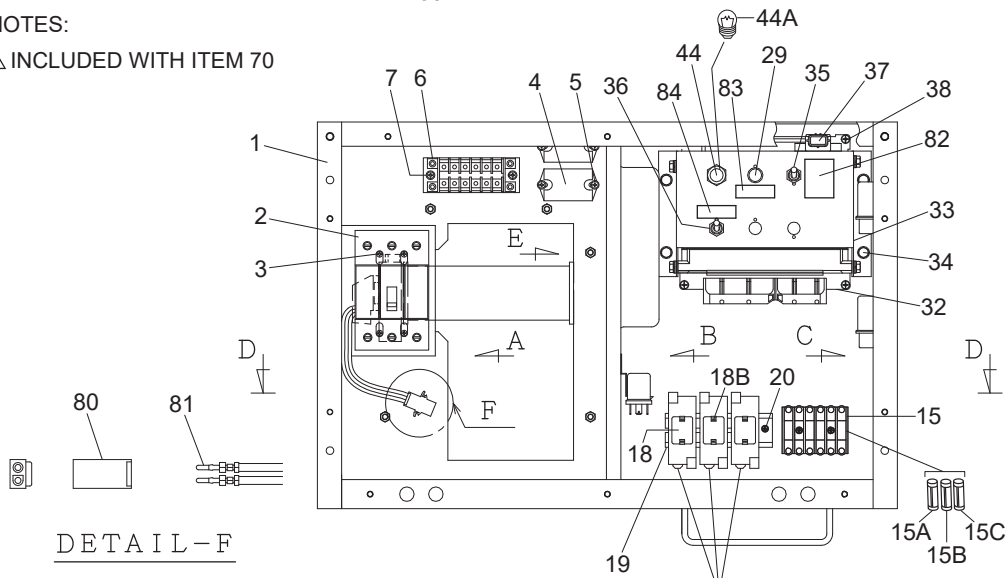
<u>NO.</u>	<u>PART NO.</u>	<u>PART NAME</u>	<u>QTY.</u>	<u>REMARKS</u>
1	M1214000302	CONTROL BOX .....	1.....	S/N 7152553 AND BELOW
1	M1214000312	CONTROL BOX .....	1.....	S/N 7152554 AND ABOVE
2	0601870430	CIRCUIT BREAKER, 3P 60A	1	
3	0021004075	MACHINE SCREW	4	
4	0601823863	RELAY UNIT	2	
5	7538070	MACHINE SCREW .....	4.....	REPLACES P/N 0027104015
6	0601815759	TERMINAL.....	1.....	S/N 7151823 AND BELOW
6	0601815870	TERMINAL.....	1.....	S/N 7151824 AND ABOVE
6A	M9521000004	DECAL: TERMINAL	1	
7	0027104020	MACHINE SCREW	2	
15	Y0601802214	HOLDER, FUSE	2	
15A	0601806671	FUSE, 15A	2	
15B	0601802149	FUSE, 10A	3	
15C	0601802133	FUSE, 5A	1	
16	0027103015	MACHINE SCREW	2	
18	LY2DUS12VDC	RELAY .....	2.....	REPLACES P/N 0601827656 S/N 715823 AND BELOW
18	LY2DUS12VDC	RELAY .....	1.....	REPLACES P/N 0601827656 S/N 715824 AND ABOVE
18A	PTF08A	BASE .....	2.....	REPLACES P/N 0601823109 S/N 715823 AND BELOW
18A	PTF08A	BASE .....	1.....	REPLACES P/N 0601823109 S/N 715824 AND ABOVE
18B	PYCA1	CLIP.....	4.....	REPLACES P/N 0601824400 S/N 715823 AND BELOW
18B	PYCA1	CLIP .....	2.....	REPLACES P/N 0601824400 S/N 715824 AND ABOVE
19	Y0290000100	MOUNTING RAIL	1	
20	7538070	MACHINE SCREW .....	2.....	REPLACES P/N 0027104015 S/N 7155678 AND BELOW
20	0027104010	MACHINE SCREW .....	2.....	S/N 7155679 AND ABOVE
23	0601823240	RECTIFIER	1	
24	0027104020	MACHINE SCREW	1	
25	0601842384	RESISTOR, 20W 50 OHM	1	
26	0027104010	MACHINE SCREW	2	
27	5825500290	RELAY .....	3.....	REPLACES P/N 0602201400
28	0027105010	MACHINE SCREW	3	
29	0601831205	PUSH BUTTON SWITCH	1	
32	8982201570	ENGINE CONTROLLER (ECM) .....	1.....	REPLACES P/N Y0602202699 S/N 7152553 AND BELOW
32	8982460570	ENGINE CONTROLLER (ECM) .....	1.....	REPLACES P/N Y0602203050 S/N 7152554 AND ABOVE
33	M1214600204	CONTROLLER BRACKET	1	
34	011106015	HEX. HEAD BOLT.....	8.....	REPLACES P/N 0016906015
35	0601830710	DIAGNOSTIC SWITCH	1	
36	0601830762	FUEL PUMP SWITCH	1	
37	8972177780	BAROMETRIC PRESSURE SENSOR .....	1.....	REPLACES P/N 0602130220
38	0027105015	MACHINE SCREW	2	
44	0602103092	ALARM LAMP	1	
44A	0601810277	BULB, 18V	1	

# CONTROL BOX 1 ASSY. (CONT'D.)

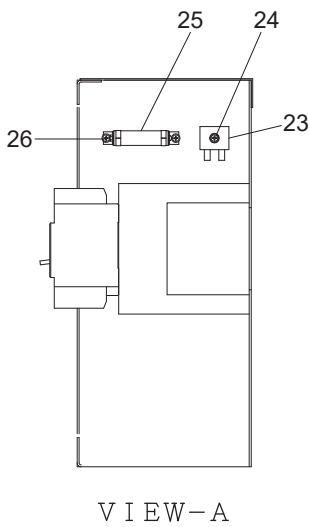


**NOTES:**

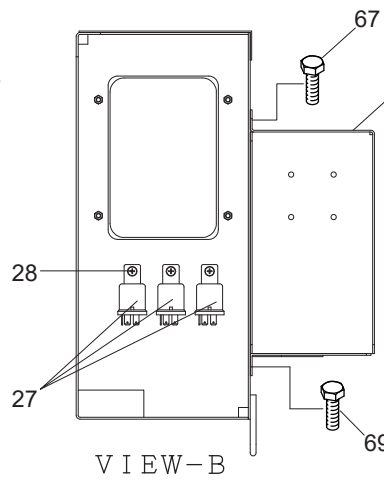
△ INCLUDED WITH ITEM 70



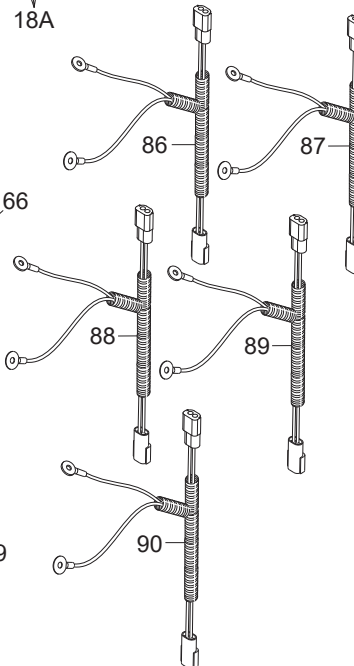
DETAIL-F



VIEW-A



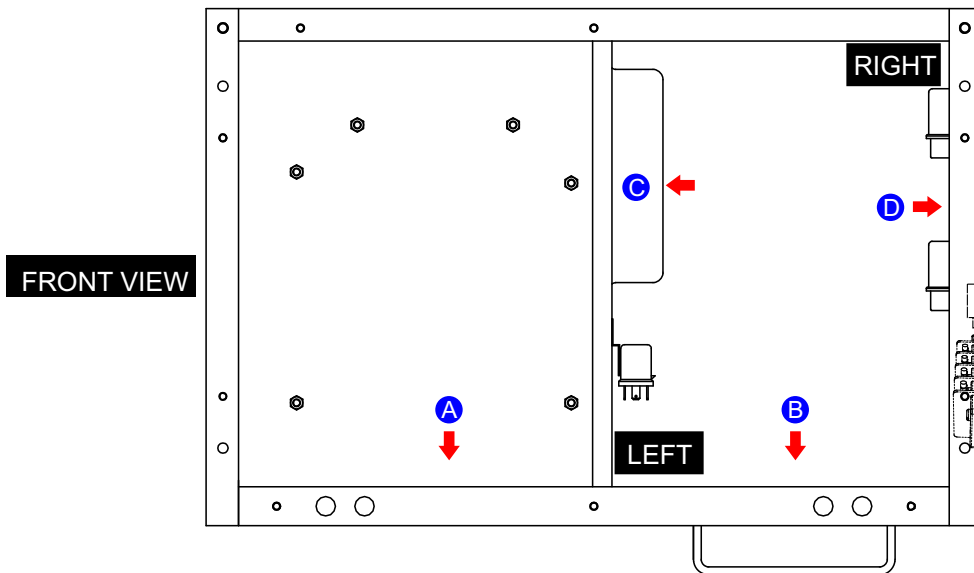
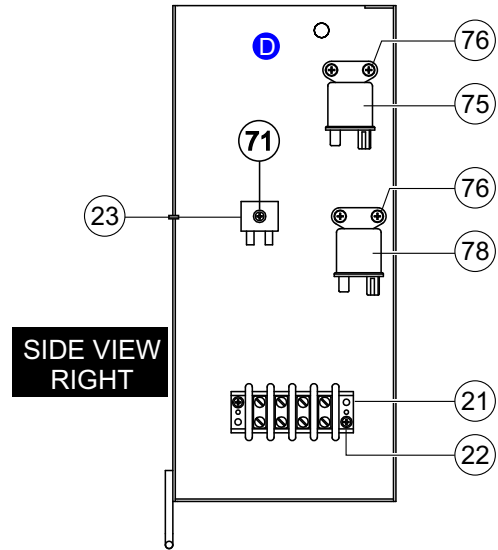
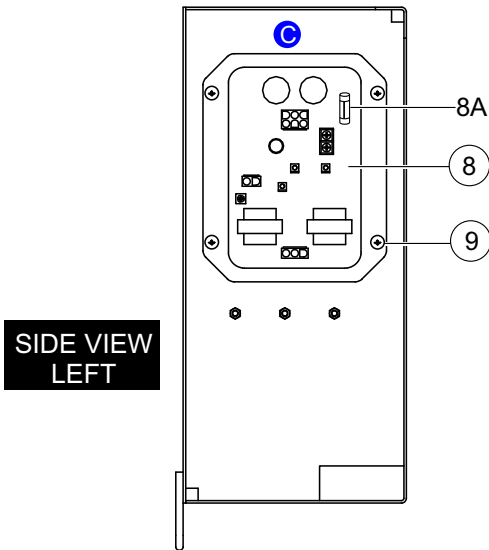
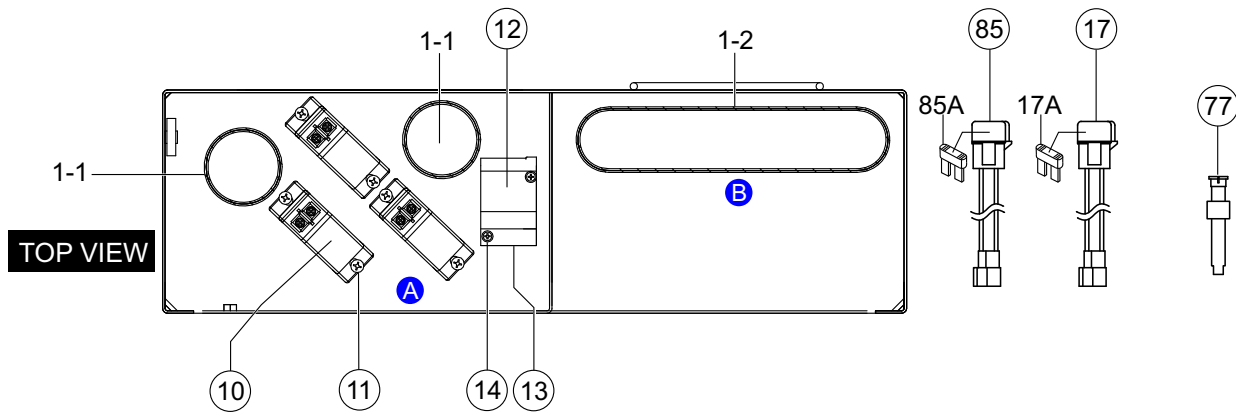
VIEW-B



## CONTROL BOX 1 ASSY. (CONT'D.)

<u>NO.</u>	<u>PART NO.</u>	<u>PART NAME</u>	<u>QTY.</u>	<u>REMARKS</u>
59	M1214500004	CONTROL BOX COVER	1	
60	011106015	HEX. HEAD BOLT.....	4.....	REPLACES P/N 0016906015
61	M1214600804	SWITCH BRACKET	1	
62	M1214600904	SWITCH BRACKET	1	
63	0021104035	MACHINE SCREW	4	
63A	OEMAA8	HEX. NUT.....	4.....	REPLACES P/N 0207004000
64	7538070	MACHINE SCREW.....	4.....	REPLACES P/N 0027104015
64A	OEMAA8	HEX. NUT.....	4.....	REPLACES P/N 0207004000
65	011106015	HEX. HEAD BOLT.....	4.....	REPLACES P/N 0016906015
66	M1214600004	SWITCH COVER	1	
67	011106015	HEX. HEAD BOLT.....	6.....	REPLACES P/N 0016906015
68	M1214600104	SWITCH COVER	1	
68-1	0317700180	WEATHER STRIP	1	
69	011106015	HEX. HEAD BOLT.....	4.....	REPLACES P/N 0016906015
70	M1270100004	SELECTOR SWITCH	1	
70A	M1550002704	DECAL: SELECTOR SWITCH NUMBER	1	
70B	M1550002804	DECAL: SELECTOR SWITCH NUMBER	1	
80	0601812626	PLUG	1	
81	0601812712	PINS (MALE)	2	
82	M9520000904	DECAL: DIAGNOSTIC SWITCH	1	
83	M9520001104	DECAL: DIAGNOSTIC BUTTON	1	
84	M9520002104	DECAL: FUEL PUMP SWITCH	1	
86	M1247700604	WIRE HARNESS, GENERATOR.....	1.....	S/N 7152553 AND BELOW
86	M1247700614	WIRE HARNESS, GENERATOR.....	1.....	S/N 7152554 AND ABOVE
87	M1358200202	WIRE HARNESS, ENGINE	1	
88	M1358200302	WIRE HARNESS, CONTROLLER	1	
89	M1358202004	WIRE HARNESS, PRESSURE SWITCH.....	1.....	S/N 7151824 AND ABOVE
90	Y0602044310	WIRE HARNESS, PVC HEATER.....	1.....	S/N 7151824 AND ABOVE

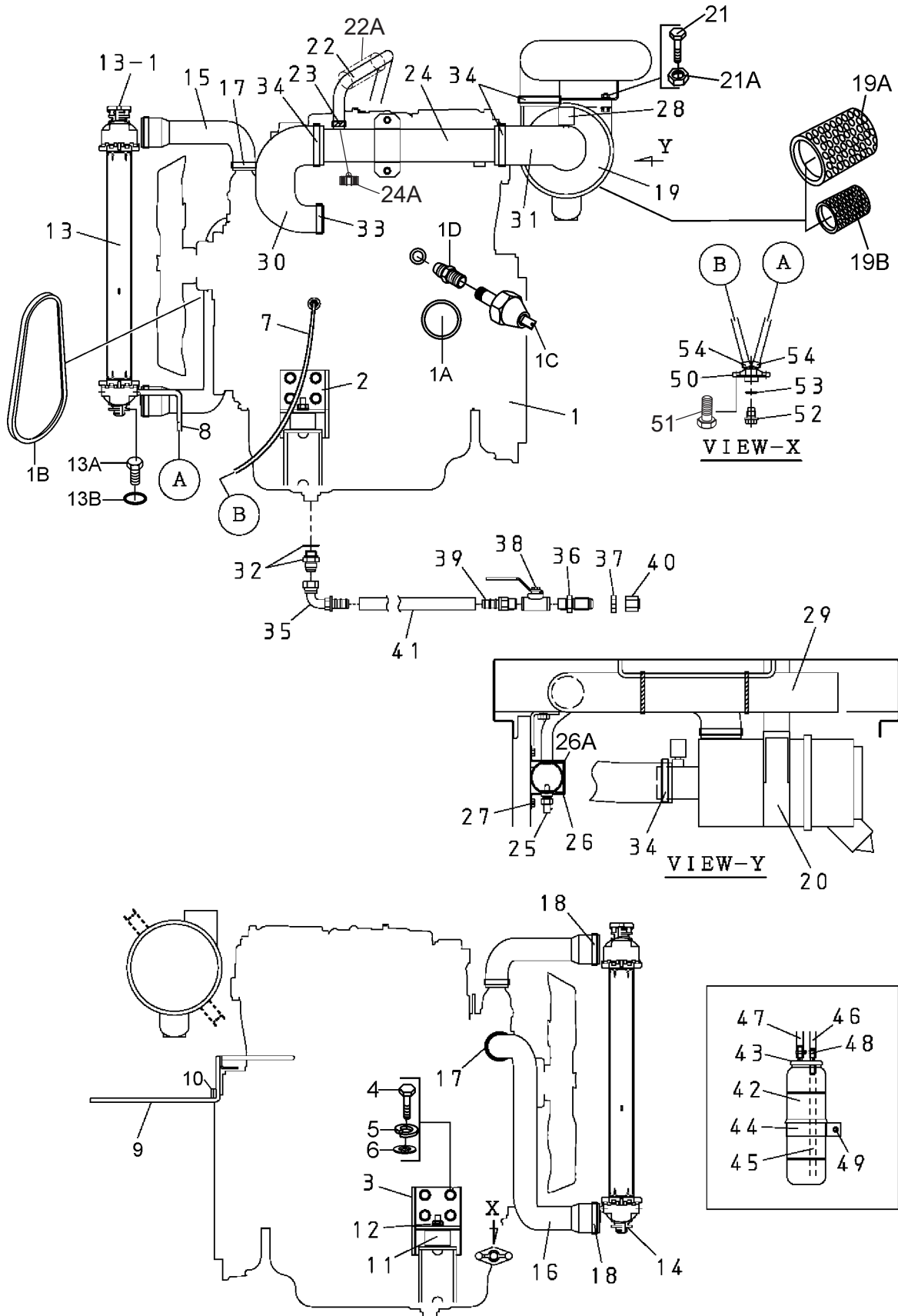
# CONTROL BOX 2 ASSY.



## CONTROL BOX 2 ASSY.

<u>NO.</u>	<u>PART NO.</u>	<u>PART NAME</u>	<u>QTY.</u>	<u>REMARKS</u>
1-1	0330000185	EDGE TRIM .....	2.....	S/N 7151823 AND BELOW
1-1	Y0411100185	EDGE TRIM .....	2.....	S/N 7151824 AND ABOVE
1-2	Y0330000550	EDGE TRIM .....	1.....	S/N 7151823 AND BELOW
1-2	Y0411100550	EDGE TRIM .....	1.....	S/N 7151824 AND ABOVE
8	0601820608	AUTOMATIC VOLTAGE REGULATOR	1	
8A	Y0601806683	FUSE, 250V 8A	1	
9	0027105015	MACHINE SCREW	4	
10	0601801122	CURRENT TRANSFORMER	3	
11	011808015	MACHINE SCREW .....	6.....	REPLACES P/N 0027106015
12	0601820847	OVER CURRENT RELAY .....	1.....	S/N 7152553 AND BELOW
12	Y0601820839	OVER CURRENT RELAY .....	1.....	S/N 7152554 AND ABOVE
13	Y0601820848	OVER CURRENT RELAY BASE, 25A.....	1.....	S/N 7152553 AND BELOW
13	Y0601820844	OVER CURRENT RELAY BASE, 25A.....	1.....	S/N 7152554 AND ABOVE
14	0027104020	MACHINE SCREW	2	
14A	OEMAA8	SELF-LOCKING NUT .....	2.....	REPLACES P/N 0207004000
17	C3558201704	HOLDER, FUSE .....	1.....	REPLACES P/N M2357202104
17A	0601806644	FUSE, 30A	1	
21	0601815153	TERMINAL BLOCK	1	
22	7538070	MACHINE SCREW .....	2.....	REPLACES P/N 0027104015 S/N 7155678 AND BELOW
22	0027104020	MACHINE SCREW .....	2.....	S/N 7155679 AND ABOVE
23	0601823240	RECTIFIER	1	
71	0027104030	MACHINE SCREW	1	
75	8944001061	RELAY, STARTER.....	1.....	REPLACES P/N 0602202502
76	0027105010	MACHINE SCREW	2	
77	0601806640	FUSE, 65A	1	
78	8970119490	GLOW PLUG RELAY.....	1.....	REPLACES P/N 0602202685
79	0027105010	MACHINE SCREW	2	
85	C3358201704	HOLDER, FUSE .....	1.....	REPLACES P/N M2357202104 S/N 7151824 AND ABOVE
85A	0601806645	FUSE, 10 AMP.....	1.....	S/N 7151824 AND ABOVE

# ENGINE AND RADIATOR ASSY.

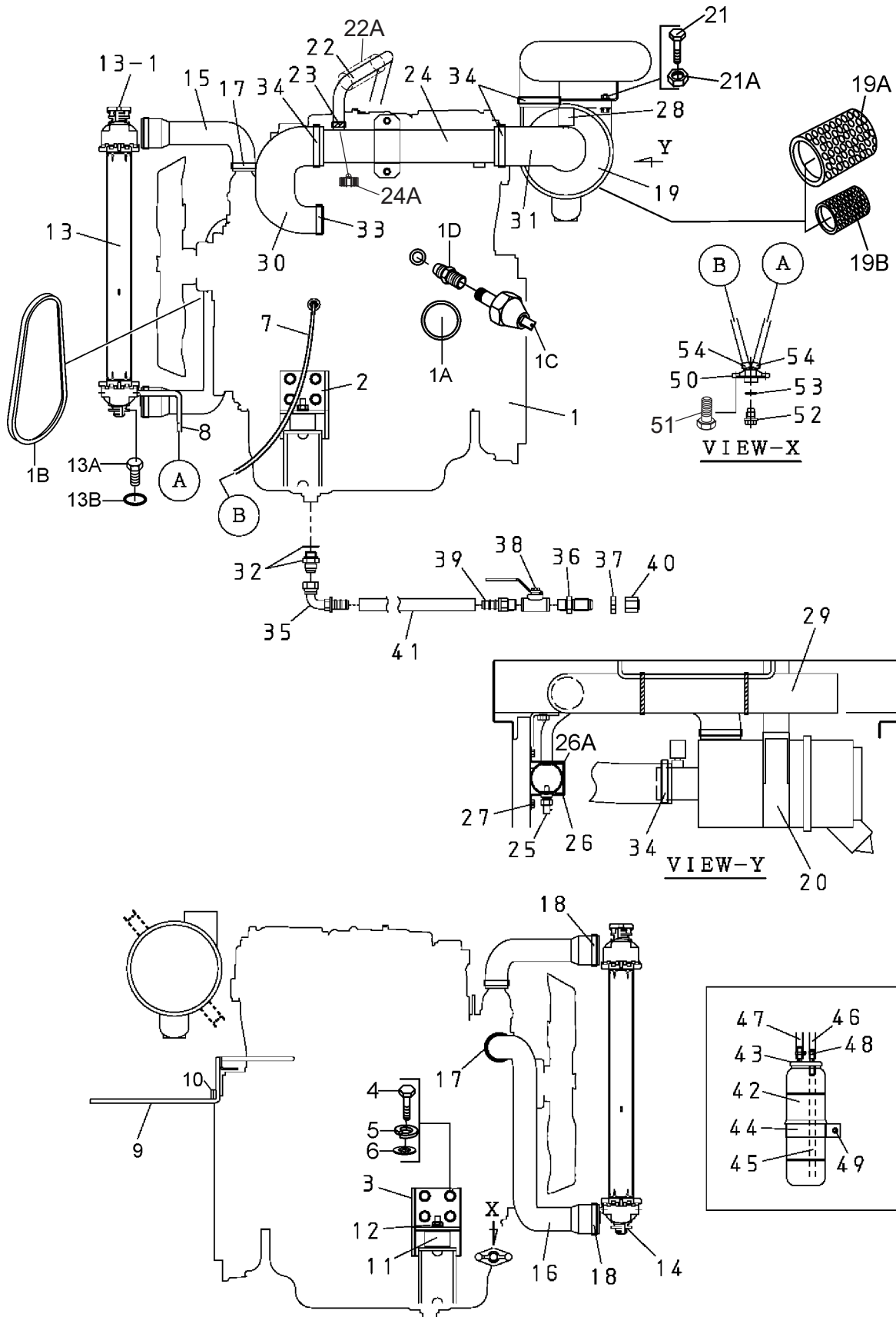




## ENGINE AND RADIATOR ASSY.

<u>NO.</u>	<u>PART NO.</u>	<u>PART NAME</u>	<u>QTY.</u>	<u>REMARKS</u>
1	M1924200074	ENGINE, ISUZU 4LE2T	1	
1A	2944566410	ELEMENT, OIL FILTER.....	1.....	REPLACES P/N 8944567412
1B	8980490340	FAN BELT	1	
1C	8983193760	PRESSURE SWITCH.....	1.....	REPLACES P/N Y0602210060 S/N 7151824 AND ABOVE
1D	89833377180	ADAPTER.....	1.....	REPLACES P/N Y0602211629 S/N 7151824 AND ABOVE
2	M1303200304	ENGINE FOOT	1	
3	M1305200204	ENGINE FOOT	1	
4	0105091025	HEX. HEAD BOLT.....	8.....	REPLACES P/N 0010310025
5	0040010000	WASHER, LOCK	8	
6	031110160	WASHER, FLAT.....	8.....	REPLACES P/N 0041210000
7	0199900900	DRAIN HOSE	1	
8	Y0199900680	DRAIN HOSE	1	
9	M1358300403	CLAMPER ROD	1	
10	012210020	HEX. HEAD BOLT.....	2.....	REPLACES P/N 0017110020
11	Y0605000408	RUBBER SUSPENSION	2	
12	021112140	HEX. NUT.....	2.....	REPLACES P/N 0207010000
13	M1924200054	RADIATOR.....	1.....	S/N 7151823 AND BELOW
13	M1924200164	RADIATOR.....	1.....	S/N 7151824 AND ABOVE
13A	M9200100904	PLUG	1	
13B	0150000016	O-RING	1	
13-1	Y0602015700	CAP	1	
14	M9312200104	MOUNT RUBBER	4	
15	M1311500203	RADIATOR HOSE	1	
16	M1311500303	RADIATOR HOSE	1	
17	0605515149	HOSE BAND	2	
18	0605515147	HOSE BAND	2	
19	Y0602046590	AIR CLEANER	1	
19A	PMAF25436	PRIMARY ELEMENT.....	1.....	REPLACES P/N 0602046309
19B	P822769	SAFETY ELEMENT.....	1.....	REPLACES P/N 0602046689
20	Y0602040553	AIR CLEANER BAND	1	
21	011208030	HEX. HEAD BOLT.....	2.....	REPLACES P/N 0016908030
21A	020108060	SELF-LOCKING-NUT.....	2.....	REPLACES P/N 0207008000
22	0269200520	PUSH-LOCK-HOSE.....	1.....	S/N 7151823 AND BELOW
22	M1327200004	BLOW-BY HOSE.....	1.....	S/N 7151824 AND ABOVE
22A	Y0378400160	FOAM INSULATION 6.3 FT. (160 MM).....	1.....	S/N 7151824 AND ABOVE
23	0605515198	HOSE BAND.....	2.....	S/N 7151823 AND BELOW
23	0605515198	HOSE BAND.....	1.....	S/N 7151824 AND ABOVE
23	0605515321	HOSE BAND.....	1.....	S/N 7151824 AND ABOVE
24	M1374000003	AIR CLEANER PIPE.....	1.....	S/N 7151823 AND BELOW
24	M1374000013	AIR CLEANER PIPE.....	1.....	S/N 7151824 AND ABOVE
24A	8981924670	PCV HEATER.....	1.....	REPLACES P/N 0602044300 S/N 7151824 AND ABOVE
25	8121468300	INLET AIR TEMPERATURE SENSOR.....	1.....	REPLACES P/N 0603210240

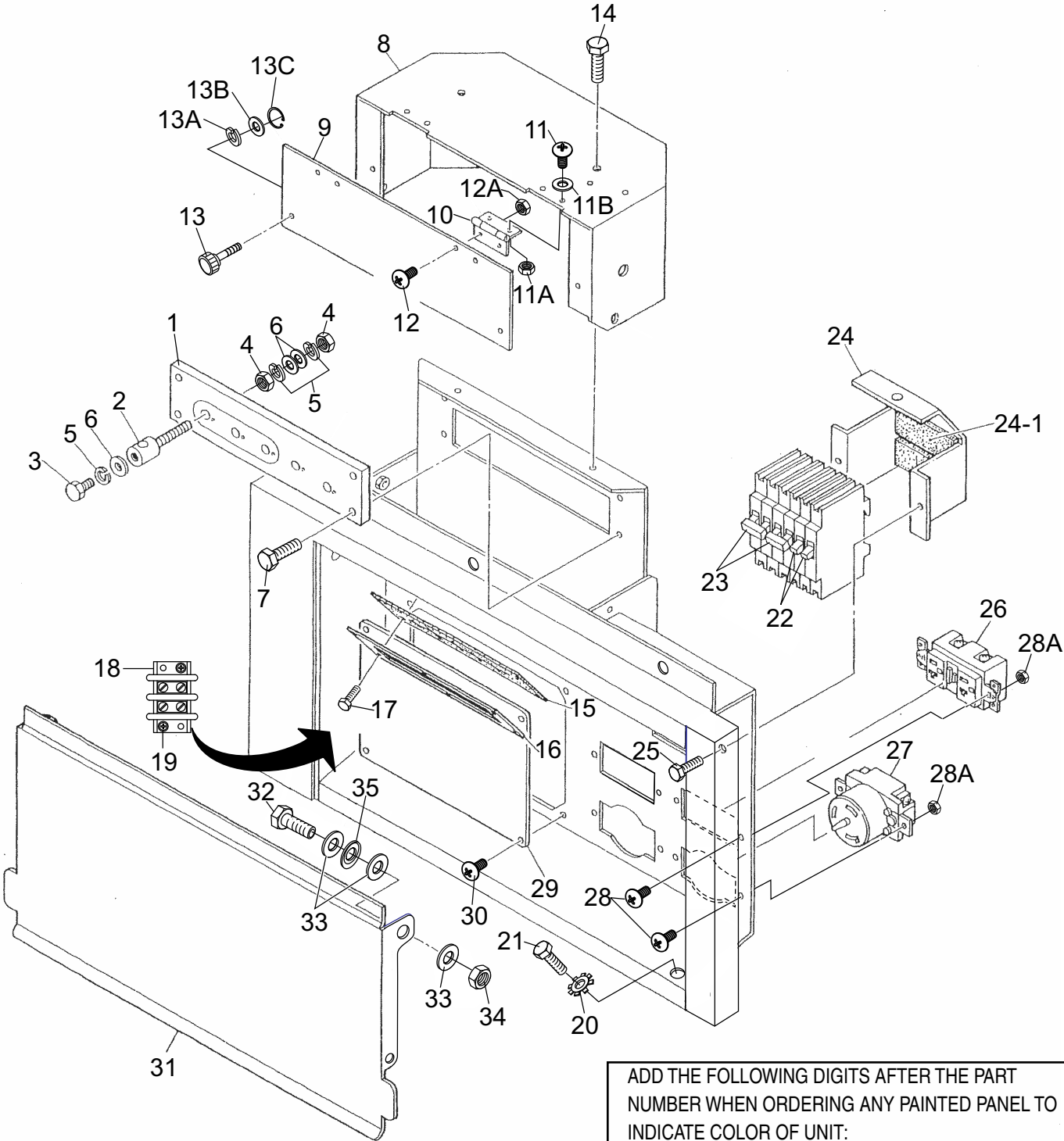
# ENGINE AND RADIATOR ASSY. (CONT'D.)



## ENGINE AND RADIATOR ASSY. (CONT'D.)

<u>NO.</u>	<u>PART NO.</u>	<u>PART NAME</u>	<u>QTY.</u>	<u>REMARKS</u>
26	M1374200204	BRACKET, AIR CLEANER PIPE	1	
26A	Y0222100060	RUBBER SEAL	1	
27	011008020	HEX. HEAD BOLT .....	2	REPLACES P/N 0016908020
28	0602040651	INDICATOR, AIR CLEANER	1	
29	M1374100203	AIR CLEANER HOSE	1	
30	M1374100303	AIR CLEANER HOSE	1	
31	M1374100403	AIR CLEANER HOSE	1	
32	0602022581	ADAPTER 10M 24 X 2.0	1	
33	0605515147	HOSE BAND	1	
34	9500202080	HOSE BAND .....	4	REPLACES P/N 0605515178
35	0602022561	90 DEG. ELBOW	1	
36	0603306590	CONNECTOR	1	
37	0603300285	LOCKNUT	1	
38	0605511395	VALVE	1	
39	0603306395	HOSE JOINT	1	
40	0602021070	CAP	1	
41	0269200600	DRAIN HOSE	1	
42	0802081403D	RESERVE TANK .....	1	REPLACES P/N M9300000003
43	0802081104	CAP, RESERVE TANK .....	1	REPLACES P/N M9300100003
44	M1317100004	BRACKET, RESERVE TANK	1	
45	0199100215	HOSE	1	
46	Y0199900520	OVER FLOW HOSE	1	
47	0193601000	OVER FLOW HOSE	1	
48	0605515189	HOSE BAND	2	
49	011008020	HEX. HEAD BOLT .....	1	REPLACES P/N 0016908020
50	1622014103	DRAIN JOINT .....	1	REPLACES P/N M9602000003
51	011206020	HEX. HEAD BOLT .....	2	REPLACES P/N 0016906020
52	0802011104	DRAIN BOLT .....	1	REPLACES P/N M9200200004
53	0150000018	O-RING	1	
54	0605515189	HOSE BAND	4	

# OUTPUT TERMINAL ASSY.



ADD THE FOLLOWING DIGITS AFTER THE PART NUMBER WHEN ORDERING ANY PAINTED PANEL TO INDICATE COLOR OF UNIT:

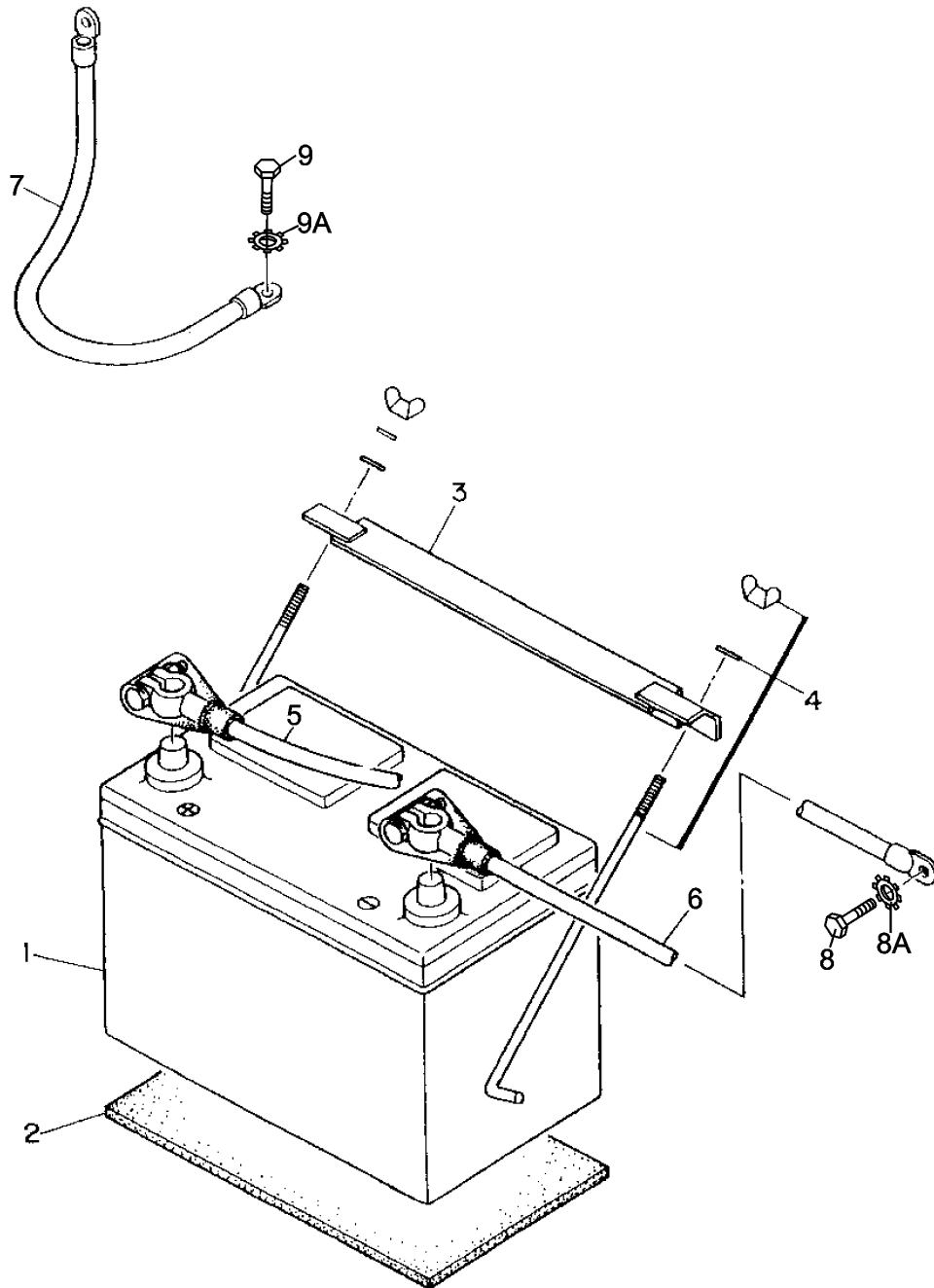
1-ORANGE	6-CATERPILLAR YELLOW
2-WHITE	7-CATO GOLD
3-SPECTRUM GREY	8-RED
4-SUNBELT GREEN	9-DESERT TAN
5-BLACK	

THE SERIAL NUMBER MAY BE REQUIRED.

## OUTPUT TERMINAL ASSY.

<u>NO.</u>	<u>PART NO.</u>	<u>PART NAME</u>	<u>QTY.</u>	<u>REMARKS</u>
1	8091860103	TERMINAL PANEL .....	1.....	REPLACES P/N M1230700003
2	0801830104A	OUTPUT TERMINAL BOLT .....	5.....	REPLACES P/N M9220000004
3	0801832204	TIE BOLT .....	5.....	REPLACES P/N M9220000104
4	0039308000	HEX. NUT	10	
5	0040008000	WASHER, LOCK	15	
6	0041408000	WASHER, FLAT	20	
7	011206020	HEX. HEAD BOLT.....	4.....	REPLACES P/N 0016906020
8	M1237100103	3-PHASE OUTPUT TERMINAL COVER	1	
9	M1236100404	OUTPUT WINDOW	1	
10	0605010040	HINGE	2	
11	0027103010	MACHINE SCREW	4	
11A	0207003000	HEX. NUT .....	4.....	REPLACES P/N 0030003000
11B	0041203000	WASHER, FLAT	4	
12	0027103010	MACHINE SCREW	4	
12A	0207003000	HEX. NUT .....	4.....	REPLACES P/N 0030003000
13	M9220100804	SET SCREW	2	
13A	0040006000	WASHER, LOCK	2	
13B	952404470	WASHER, FLAT .....	2.....	REPLACES P/N 0041206000
13C	0080200005	E-SNAP RING	2	
14	011106015	HEX. HEAD BOLT.....	4.....	REPLACES P/N 0016906015
15	M1236400004	CABLE OUTLET COVER	1	
16	M1236300004	SUPPORTER, CABLE OUTLET COVER	1	
17	011206020	HEX. HEAD BOLT.....	6.....	REPLACES P/N 0016906020
18	0601815194	TERMINAL BLOCK	1	
19	7538070	MACHINE SCREW.....	2.....	REPLACES P/N 0027104015
20	0040508000	TOOTHED WASHER	1	
21	0019208020	HEX. HEAD BOLT	1	
22	0601870440	CIRCUIT BREAKER 1P 20A	2	
23	0601870441	CIRCUIT BREAKER 2P 50A	2	
24	M1260700404	BREAKER FITTING COVER	1	
24-1	0222100080	CUSHION RUBBER	2	
25	011206020	HEX. HEAD BOLT.....	2.....	REPLACES P/N 0016906020
26	0601814013	RECEPTACLE 125V @ 20A.....	2.....	S/N 7152553 AND BELOW
26	Y0601814034	RECEPTACLE 125V @ 20A.....	2.....	REPLACES P/N 0601814024 S/N 7152554 AND ABOVE
27	0601814014	RECEPTACLE 250V @ 50A	2	
28	7538070	MACHINE SCREW.....	8.....	REPLACES P/N 0027104015
28A	OEMAA8	HEX. NUT .....	8.....	REPLACES P/N 0207004000
29	M1236400104	COVER	1	
30	011106015	HEX. HEAD BOLT.....	4.....	REPLACES P/N 0016906015
31	M1237100003	TERMINAL COVER	1	
32	012212045	HEX. HEAD BOLT.....	2.....	REPLACES P/N 0010112045
33	031112230	WASHER, FLAT .....	6.....	REPLACES P/N 0041212000
34	0030012000	HEX. NUT DOUBLE NUT	2	
35	0605050060	CONICAL LOCK WASHER	2	

# BATTERY ASSY.

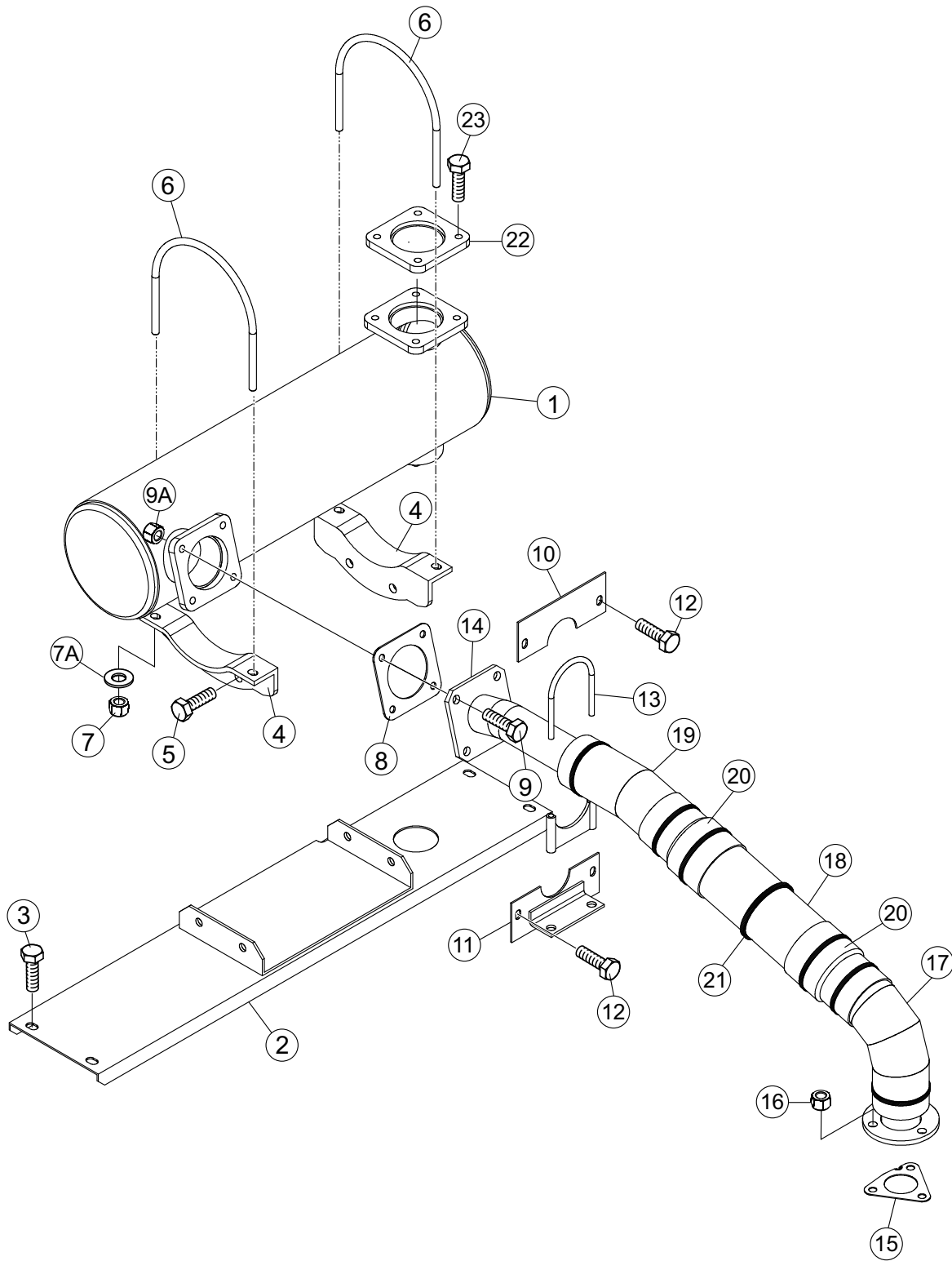


## BATTERY ASSY.

---

<u>NO.</u>	<u>PART NO.</u>	<u>PART NAME</u>	<u>QTY.</u>	<u>REMARKS</u>
1	0602220185	BATTERY	1	
2	M9310500014	BATTERY SHEET	1	
3	M9103000304	BATTERY BAND	1	
4	0602220920	BATTERY BOLT SET 1/4-L10"	2	
5	M1346400004	BATTERY CABLE	1	
6	M2346900304	BATTERY CABLE	1	
7		CABLE .....	1	MAKE LOCALLY
8	0017110025	HEX. HEAD BOLT	1	
8A	0040510000	TOOTHED WASHER	1	
9	0019208020	HEX. HEAD BOLT	1	
9A	0040508000	TOOTHED WASHER	1	

# MUFFLER ASSY.

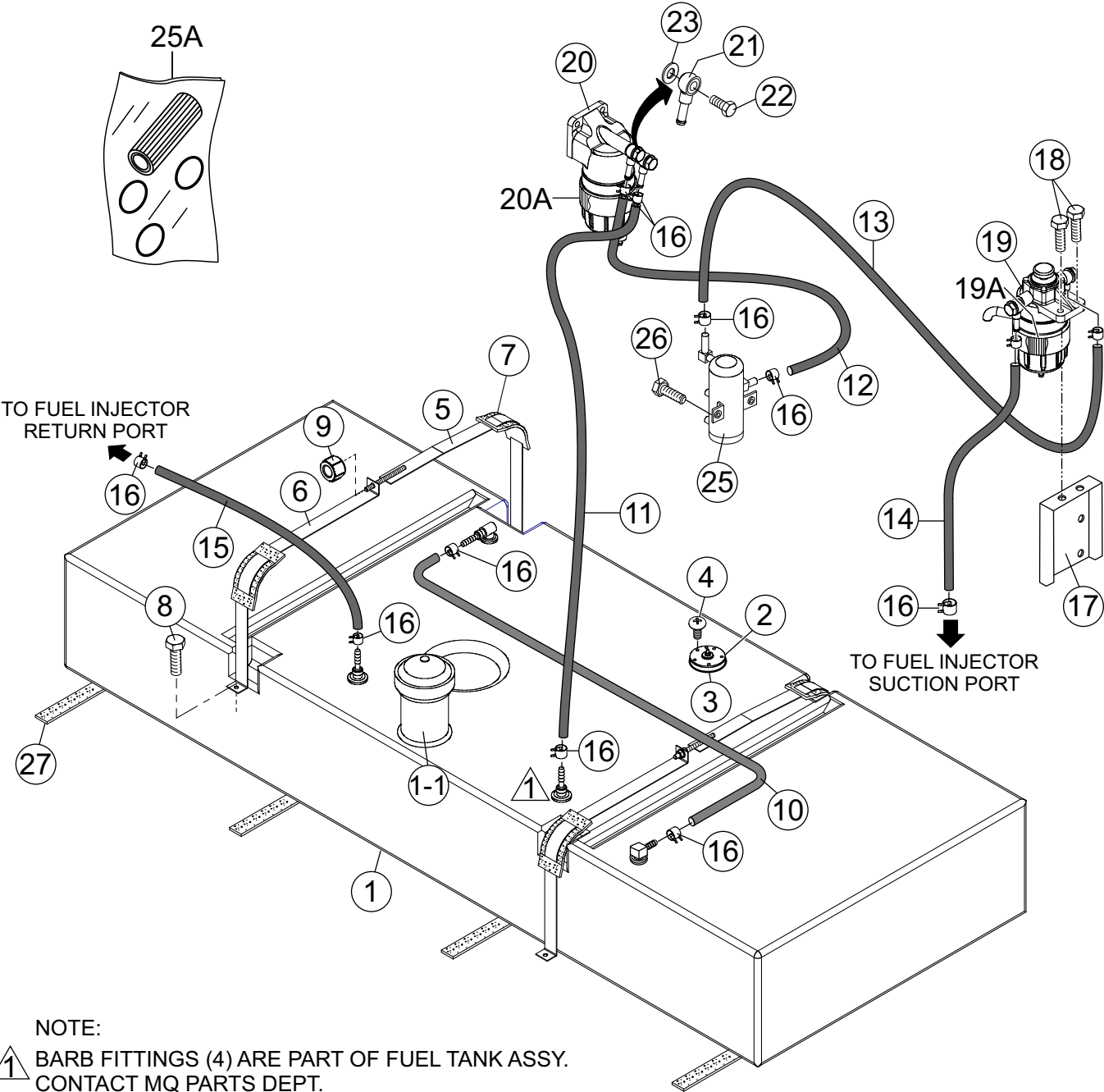




## MUFFLER ASSY.

<u>NO.</u>	<u>PART NO.</u>	<u>PART NAME</u>	<u>QTY.</u>	<u>REMARKS</u>
1	8982353890	DOC .....	1.....	REPLACES P/N Y0602330111
2	M1331400103	DOC BRACKET	1	
3	011008020	HEX. HEAD BOLT .....	4.....	REPLACES P/N 0016908020
4	8982284330	DOC SUPPORT .....	2 .....	REPLACES P/N Y0602330210
5	0016910025	HEX. HEAD BOLT	4	
6	8982103230	U-BOLT .....	2.....	REPLACES P/N Y0602322091
7	020108060	SELF-LOCKING NUT .....	4.....	REPLACES P/N 0037908000
7A	0401450080	WASHER, FLAT .....	4.....	REPLACES P/N 0041208000
8	8973731080	GASKET .....	1.....	REPLACES P/N Y0602320212
9	8980435280	HEX. HEAD BOLT .....	4.....	REPLACES P/N Y0602322090
9A	8971616070	HEX. NUT .....	4.....	REPLACES P/N Y0602323007
10	M1331400204	COVER, EXHAUST PIPE	1	
11	M1331400304	BRACKET, EXHAUST PIPE	1	
12	011106015	HEX. HEAD BOLT .....	4.....	REPLACES P/N 0016906015
13	Y0602326066	U-BOLT	1	
14	M1334000703	EXHAUST PIPE	1	
15	8973679180	GASKET .....	1.....	REPLACES P/N Y0602320211
16	0207108000	SELF-LOCKING NUT	3	
17	M1331400504	EXHAUST HEAT SHIELD (A)	1	
18	M1331400904	EXHAUST HEAT SHIELD (B)	1	
19	M1331401004	EXHAUST HEAT SHIELD (C)	1	
20	Y0272100270	HEAT SHIELD TAPE	2	
21	Y0602325051	METAL CABLE TIE	7	
22	M1334300504	FLANGE.....	1.....	S/N 7150399 AND ABOVE
23	011008020	HEX HEAD BOLT .....	4.....	S/N 7150399 AND ABOVE REPLACES P/N 0016908020

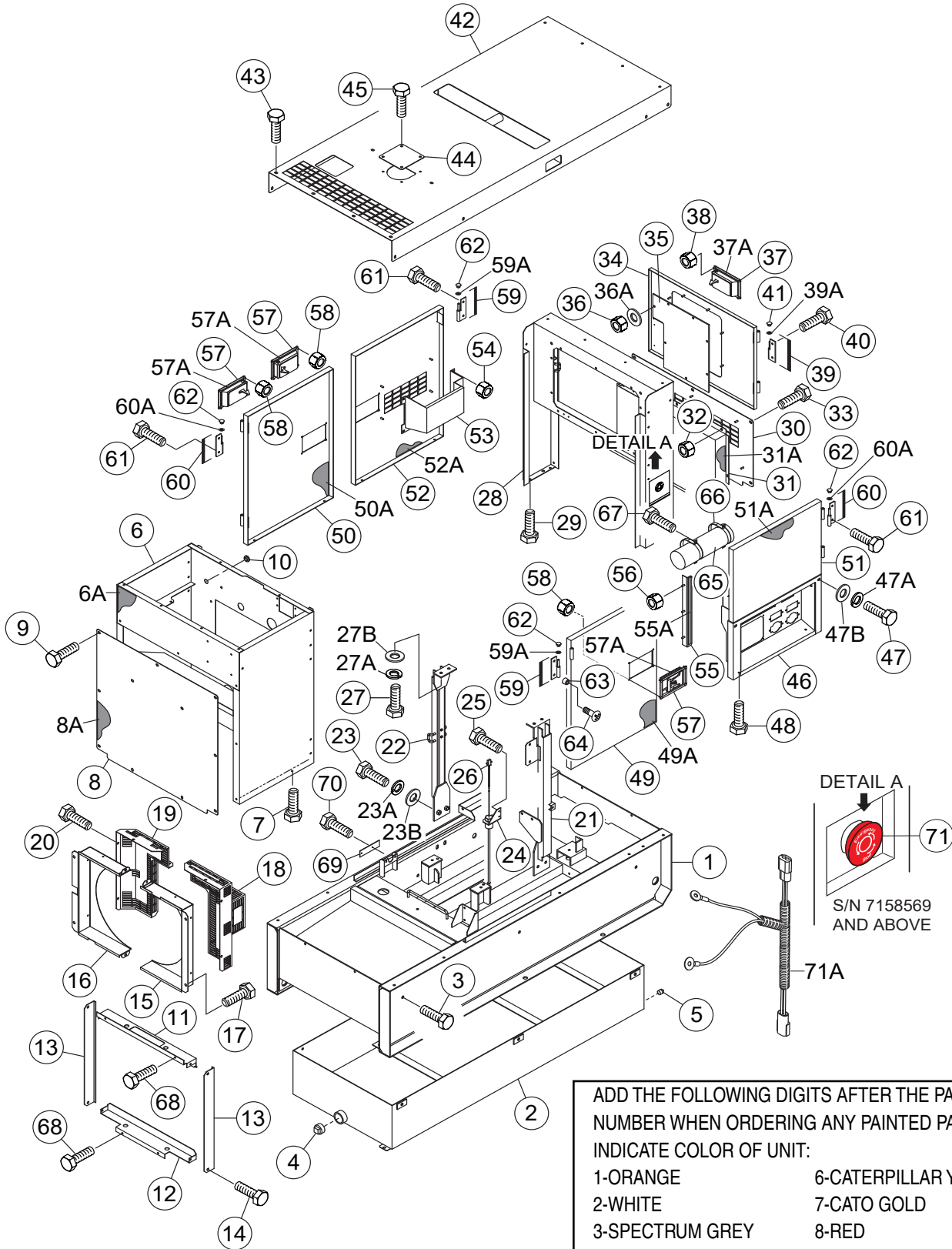
# FUEL TANK ASSY.



## FUEL TANK ASSY.

<u>NO.</u>	<u>PART NO.</u>	<u>PART NAME</u>	<u>QTY.</u>	<u>REMARKS</u>
1	M1364000302	FUEL TANK	1	
1-1	0605505070	CAP, FUEL TANK	1	
2	0605501071	FUEL SENDER UNIT .....	1.....	S/N 7151823 AND BELOW
2	Y0605501055	FUEL SENDER UNIT .....	1.....	S/N 7151824 AND ABOVE
3	0605516090	GASKET	1	
4	7538070	MACHINE SCREW .....	5.....	REPLACES P/N 0027104015 S/N 7151823 AND BELOW
4	Y0605553030	MACHINE SCREW .....	5.....	S/N 7151824 AND ABOVE
5	M1363200304	TANK BAND	2	
6	M1365200204	TANK BAND	2	
7	M9310500104	SUPPORTER SHEET	4	
8	011008020	HEX. HEAD BOLT .....	4.....	REPLACES P/N 0016908020
9	020108060	SELF-LOCKING NUT .....	4.....	REPLACES P/N 0207008000
10	0191301200	VENT HOSE	1	
11	Y0191300820	SUCTION HOSE	1	
12	Y0191300790	SUCTION HOSE.....	1.....	S/N 7155678 AND BELOW
12	Y0191300850	SUCTION HOSE.....	1.....	S/N 7155679 AND ABOVE
13	0191301150	SUCTION HOSE	1	
14	0191300900	SUCTION HOSE	1	
15	0191301300	RETURN HOSE	1	
16	0605515189	HOSE BAND	12	
17	M1367700104	FUEL FILTER BRACKET	1	
18	011008020	HEX. HEAD BOLT .....	4.....	REPLACES P/N 0016908020
19	8982369900	FUEL FILTER (MAIN) .....	1.....	REPLACES P/N 0602042428
19A	8982402790	ELEMENT, FUEL FILTER (MAIN)	1	
20	8982369910	FUEL FILTER (PRE.).....	1.....	REPLACES P/N 0602042429
20A	8982402800	ELEMENT, FUEL FILTER (PRE)	1	
21	8981263320	JOINT PIPE .....	4.....	REPLACES P/N Y0602042623
22	1096751930	EYE BOLT .....	4.....	REPLACES P/N Y0602042624
23	1096300850	PACKING .....	8.....	REPLACES P/N Y0602021700
24	012210035	HEX. HEAD BOLT .....	4.....	REPLACES P/N 0017110035
25	8980682750	FUEL FEED PUMP.....	1.....	REPLACES P/N 0602023240
25A	8981731650	KIT, FUEL PUMP	1	
26	011606025	HEX. HEAD BOLT .....	2.....	REPLACES P/N 0016906025
27	0222100550	RUBBER SEAL	4	

# ENCLOSURE ASSY.



ADD THE FOLLOWING DIGITS AFTER THE PART NUMBER WHEN ORDERING ANY PAINTED PANEL TO INDICATE COLOR OF UNIT:

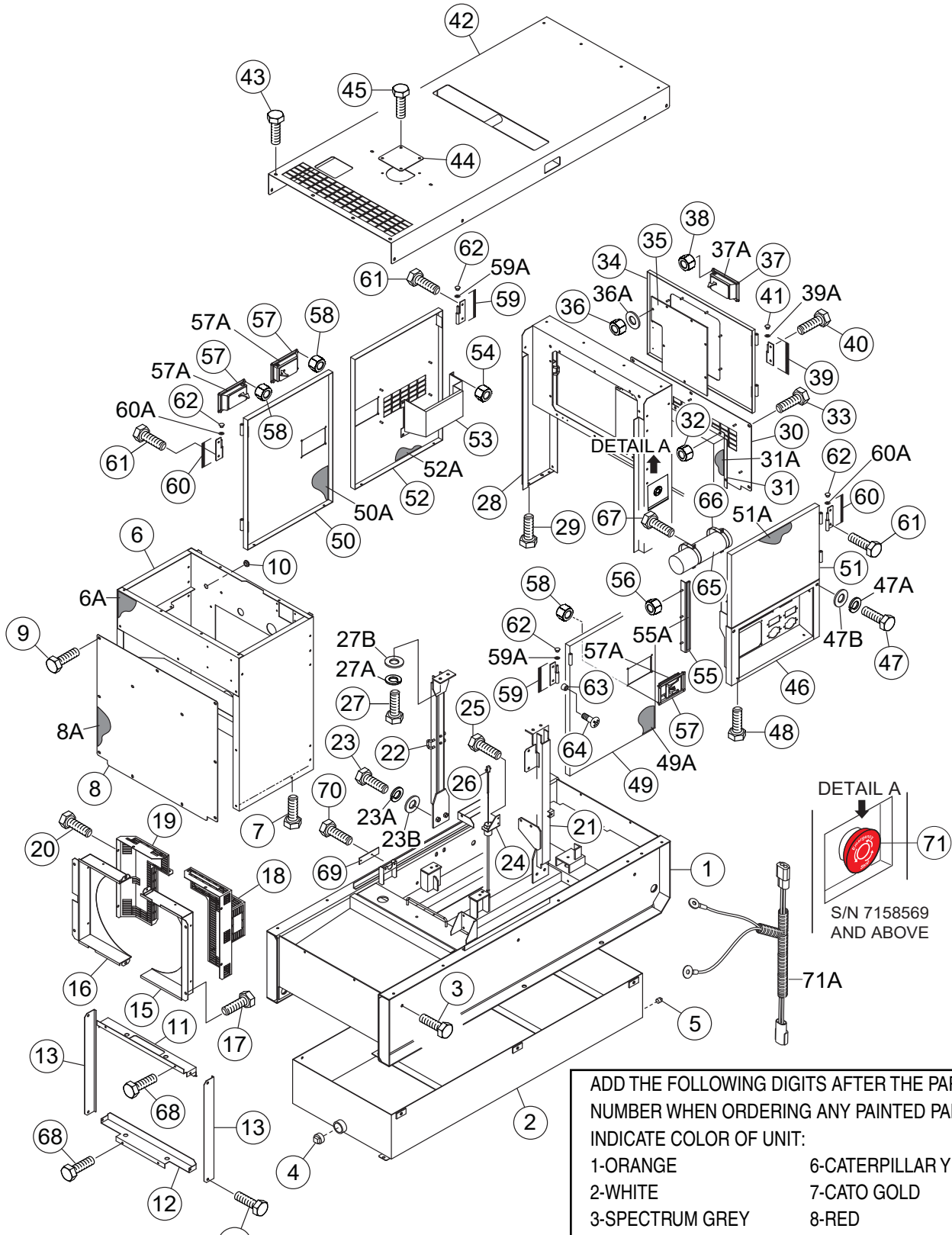
1-ORANGE	6-CATERPILLAR YELLOW
2-WHITE	7-CATO GOLD
3-SPECTRUM GREY	8-RED
4-SUNBELT GREEN	9-DESERT TAN
5-BLACK	

THE SERIAL NUMBER MAY BE REQUIRED.

## ENCLOSURE ASSY.

<u>NO.</u>	<u>PART NO.</u>	<u>PART NAME</u>	<u>QTY.</u>	<u>REMARKS</u>
1	M1414000502	BASE .....	1	S/N 7151823 AND BELOW
1	M1414000512	BASE .....	1	S/N 7151824 AND ABOVE
2	M1415100202	ENVIRONMENTAL TANK	1	
3	0016910025	HEX. HEAD BOLT	6	
4	0603306797	SQUARE HEAD PIPE PLUG 1-1/2"	1	
5	Y0603306793	SQUARE HEAD PIPE PLUG 1/2" .....	1	S/N 7155058 AND BELOW
6	M1424000602	FRONT FRAME .....	1	S/N 7151823 AND BELOW
6	M1424000612	FRONT FRAME .....	1	S/N 7151824 AND ABOVE
6A	M1494101703	ACOUSTIC SHEET	1	
7	011008020	HEX. HEAD BOLT .....	4	REPLACES P/N 0016908020
8	M1424200903	COVER, FRONT FRAME	1	
8A	M1494101804	ACOUSTIC SHEET	1	
9	0019208020	HEX. HEAD BOLT	11	
10	0601850239	GROMMET	1	
11	M1311200004	RADIATOR BRACKET	1	
12	M1311200104	RADIATOR BRACKET	1	
13	M1311200204	RADIATOR BRACKET	2	
14	011008020	HEX. HEAD BOLT .....	4	REPLACES P/N 0016908020
15	M1311600203	FAN SHROUD	1	
16	M1311600303	FAN SHROUD	1	
17	011008020	HEX. HEAD BOLT .....	6	REPLACES P/N 0016908020
18	M1311300103	FAN GUARD	1	
19	M1311300203	FAN GUARD	1	
20	011008020	HEX. HEAD BOLT .....	6	REPLACES P/N 0016908020
21	M1434000003	CENTER FRAME .....	1	S/N 7152983 AND BELOW
21	M1434000013	CENTER FRAME .....	1	S/N 7152984 AND ABOVE
22	M1434000103	CENTER FRAME	1	
23	0012312030	HEX. HEAD BOLT .....	4	REPLACES P/N 0013612030
23A	0040012000	WASHER, LOCK	4	
23B	031112230	WASHER, FLAT .....	4	REPLACES P/N 0041212000
24	M1484500104	FUEL LEAK SWITCH BRACKET .....	1	S/N 7152983 AND BELOW
25	011206020	HEX. HEAD BOLT .....	2	REPLACES P/N 0016906020 S/N 7152983 AND BELOW
26	0605503066	FUEL LEAK DETECTED SWITCH	1	
27	0012312030	HEX. HEAD BOLT .....	4	REPLACES P/N 0013612030
27A	0040012000	WASHER, LOCK	4	
27B	031112230	WASHER, FLAT .....	4	REPLACES P/N 0041212000
28	M1444000202	REAR FRAME .....	1	S/N 7158568 AND BELOW
28	M1444000212	REAR FRAME .....	1	S/N 7158569 AND ABOVE
29	011008020	HEX. HEAD BOLT .....	4	REPLACES P/N 0016908020
30	M1444300103	REAR COVER	1	
31	M1444800303	DUCT, REAR COVER	1	
31A	M1494301103	ACOUSTIC SHEET	1	
32	0176060030	SELF-LOCKING NUT .....	5	REPLACES P/N 0207006000
33	0019208020	HEX. HEAD BOLT	7	
34	M1444200103	REAR DOOR	1	
35	M1444600104	WINDOW PLATE	1	
36	020106050	LOCK NUT .....	7	REPLACES P/N 0037906000
36A	952404470	WASHER, FLAT .....	7	REPLACES P/N 0041206000

# ENCLOSURE ASSY. (CONT'D.)



ADD THE FOLLOWING DIGITS AFTER THE PART NUMBER WHEN ORDERING ANY PAINTED PANEL TO INDICATE COLOR OF UNIT:

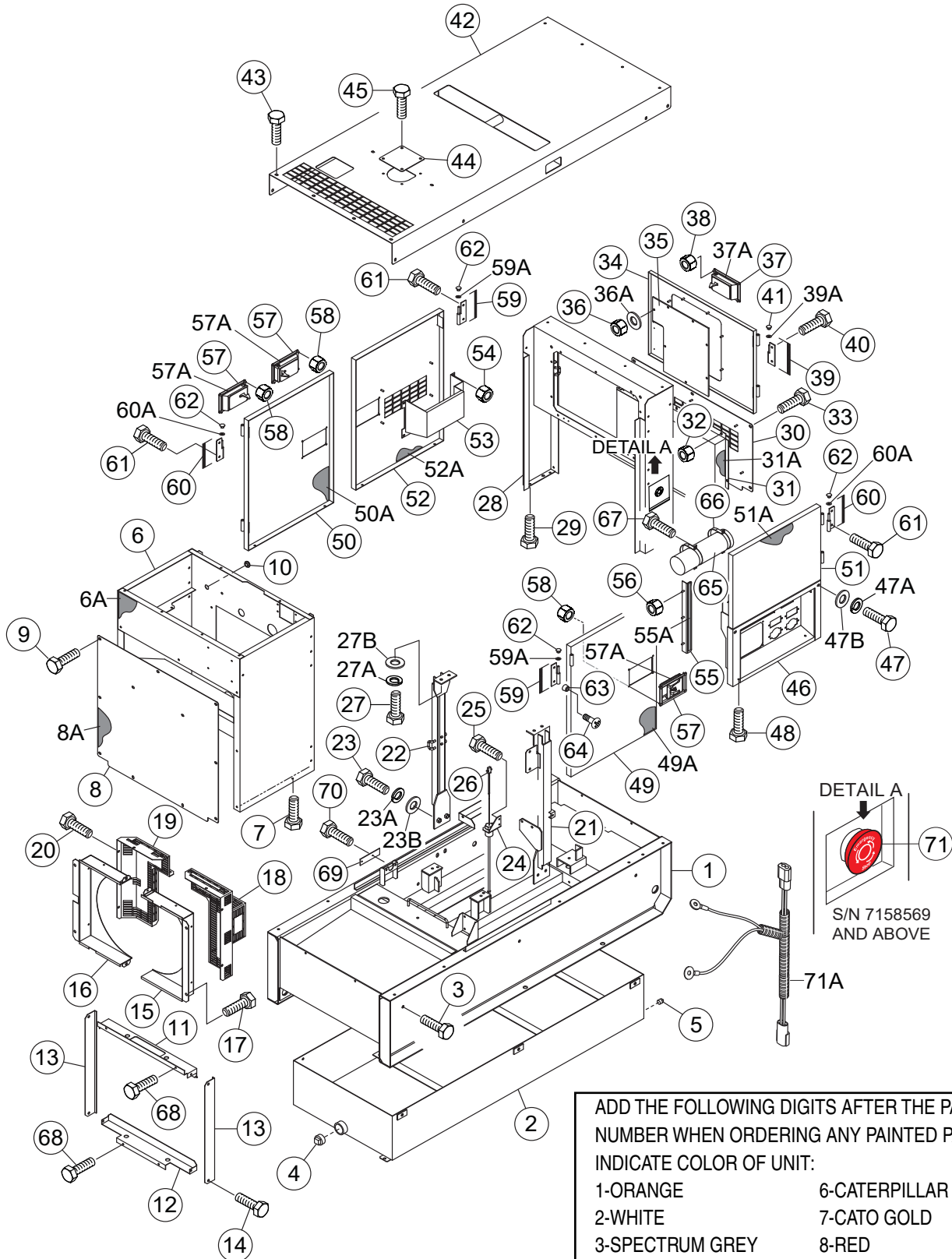
1-ORANGE	6-CATERPILLAR YELLOW
2-WHITE	7-CATO GOLD
3-SPECTRUM GREY	8-RED
4-SUNBELT GREEN	9-DESERT TAN
5-BLACK	

THE SERIAL NUMBER MAY BE REQUIRED.

## ENCLOSURE ASSY. (CONT'D.)

<u>NO.</u>	<u>PART NO.</u>	<u>PART NAME</u>	<u>QTY.</u>	<u>REMARKS</u>
37	Y0605012309	DOOR HANDLE ASSY.	1	
37A	C9312500004	SEAL RUBBER	1	
38	0176060030	SELF-LOCKING NUT .....	4	REPLACES P/N 0207006000
39	M9110100204	HINGE	2	
39A	M9116100004	WASHER	2	
40	0019208020	HEX. HEAD BOLT	3	
41	0845031504	BLIND PLUG.....	2	REPLACES P/N M9310000004
42	M1464000102	ROOF PANEL	1	
42A	M1494500703	ACOUSTIC SHEET	1	
43	0019208020	HEX. HEAD BOLT	18	
44	M3310600004	COVER	1	
45	0019208020	HEX. HEAD BOLT	4	
46	M1454200302	SPLASHER PANEL	1	
47	0019108055	HEX. HEAD BOLT	1	
47A	0042308000	WASHER, LOCK	2	
47B	031108160	WASHER, FLAT .....	2	REPLACES P/N 0042408000
48	011008020	HEX. HEAD BOLT.....	2	REPLACES P/N 0016908020
49	M1454000603	SIDE DOOR	1	
49A	M1494400604	ACOUSTIC SHEET	1	
50	M1454000703	SIDE DOOR	1	
50A	M1494400704	ACOUSTIC SHEET	1	
51	M1454000803	SIDE DOOR	1	
51A	M1494400804	ACOUSTIC SHEET	1	
52	M1454000903	SIDE DOOR	1	
52A	M1494400904	ACOUSTIC SHEET	1	
53	M1454300204	DUCT	1	
53A	M1494401204	ACOUSTIC SHEET	1	
54	0176060030	SELF-LOCKING NUT .....	5	REPLACES P/N 0207006000
55	M1454700004	DOOR SUPPORTER	1	
55A	Y0229200400	RUBBER SEAL	1	
56	0176060030	SELF-LOCKING NUT .....	3	REPLACES P/N 0207006000
57	Y0605012309	DOOR HANDLE ASSY.	3	
57A	C9312500004	SEAL RUBBER	3	
58	0176060030	SELF-LOCKING NUT .....	12	REPLACES P/N 0207006000
59	M9110100204	HINGE	4	
59A	M9116100004	WASHER	4	
60	M9110100304	HINGE	4	
60A	M9116100004	WASHER	4	
61	0019208020	HEX. HEAD BOLT	9	
62	0845031504	BLIND PLUG.....	8	REPLACES P/N M9310000004
63	0601850097	DOOR STOPPER	8	
64	0027208025	MACHINE SCREW	8	
65	0600800321	MANUAL PAK	1	

# ENCLOSURE ASSY. (CONT'D.)



ADD THE FOLLOWING DIGITS AFTER THE PART NUMBER WHEN ORDERING ANY PAINTED PANEL TO INDICATE COLOR OF UNIT:

1-ORANGE	6-CATERPILLAR YELLOW
2-WHITE	7-CATO GOLD
3-SPECTRUM GREY	8-RED
4-SUNBELT GREEN	9-DESERT TAN
5-BLACK	

THE SERIAL NUMBER MAY BE REQUIRED.

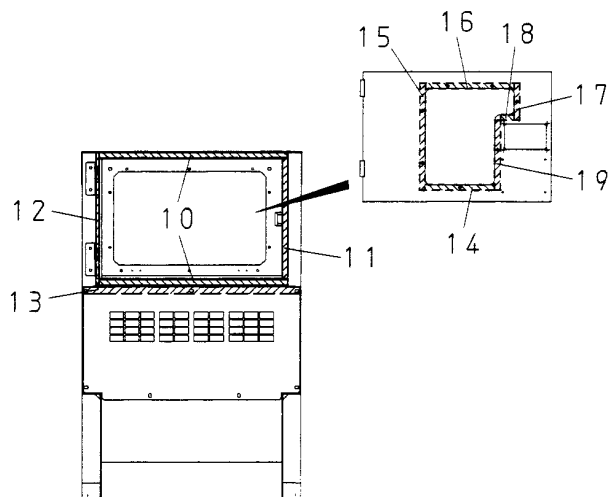
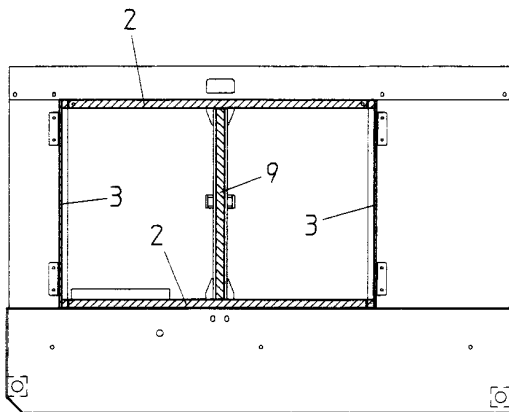
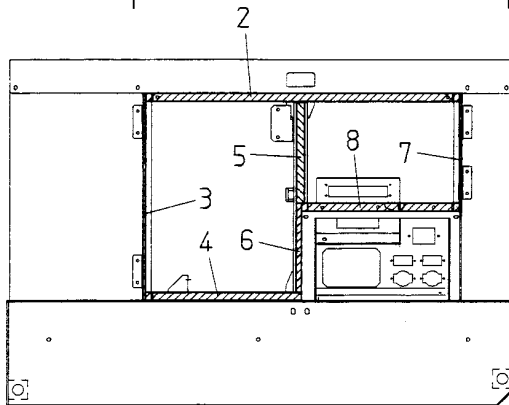
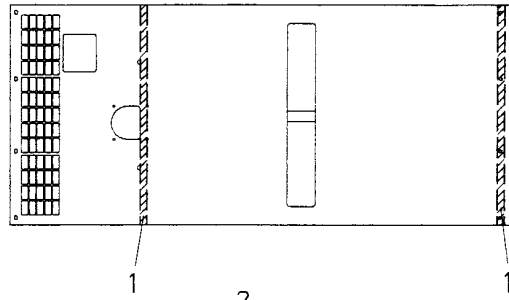


## ENCLOSURE ASSY. (CONT'D.)

---

<u>NO.</u>	<u>PART NO.</u>	<u>PART NAME</u>	<u>QTY.</u>	<u>REMARKS</u>
66	M1483600804	CLAMPER, MANUAL-PAK	2	
67	011106015	HEX. HEAD BOLT .....	4.....	REPLACES P/N 0016906015
68	011008020	HEX. HEAD BOLT .....	4.....	REPLACES P/N 0016908020
69	M2414800304	HOLE COVER, BASE .....	1.....	S/N 7155359 AND ABOVE
70	011008020	HEX. HEAD BOLT .....	2.....	REPLACES P/N 0016908020 S/N 7155359 AND ABOVE
71	Y0601831953	EMERGENCY STOP BUTTON .....	1.....	S/N 7158569 AND ABOVE
71A	M1358203004	E-STOP WIRE HARNESS .....	1.....	S/N 7158569 AND ABOVE

# RUBBER SEALS ASSY.

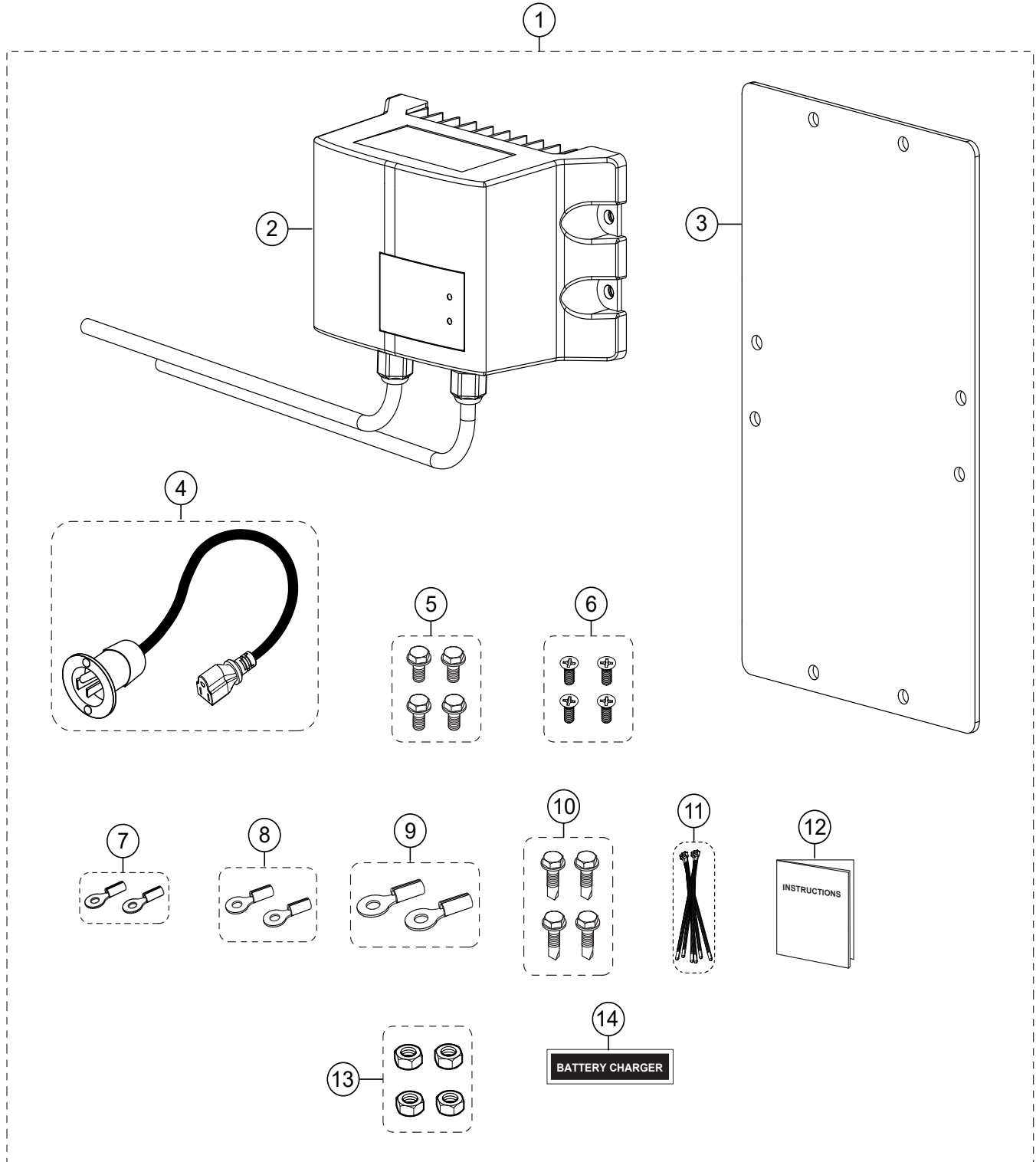


## RUBBER SEALS ASSY.

---

<u>NO.</u>	<u>PART NO.</u>	<u>PART NAME</u>	<u>QTY.</u>	<u>REMARKS</u>
1	Y0229200790	RUBBER SEAL	2	
2	Y0228901125	RUBBER SEAL	3	
3	0229400755	RUBBER SEAL	3	
4	0228900560	RUBBER SEAL	1	
5	0228900370	RUBBER SEAL	1	
6	0228800325	RUBBER SEAL	1	
7	0229400430	RUBBER SEAL	1	
8	0228900565	RUBBER SEAL	1	
9	0228900695	RUBBER SEAL	1	
10	Y0228800680	RUBBER SEAL	2	
11	Y0228800440	RUBBER SEAL	1	
12	Y0228800480	RUBBER SEAL	1	
13	Y0229200780	RUBBER SEAL	1	
14	Y0228100250	RUBBER SEAL	1	
15	0228100390	RUBBER SEAL	1	
16	0228100320	RUBBER SEAL	1	
17	Y0228100135	RUBBER SEAL	1	
18	Y0228100050	RUBBER SEAL	1	
19	Y0228100255	RUBBER SEAL	1	

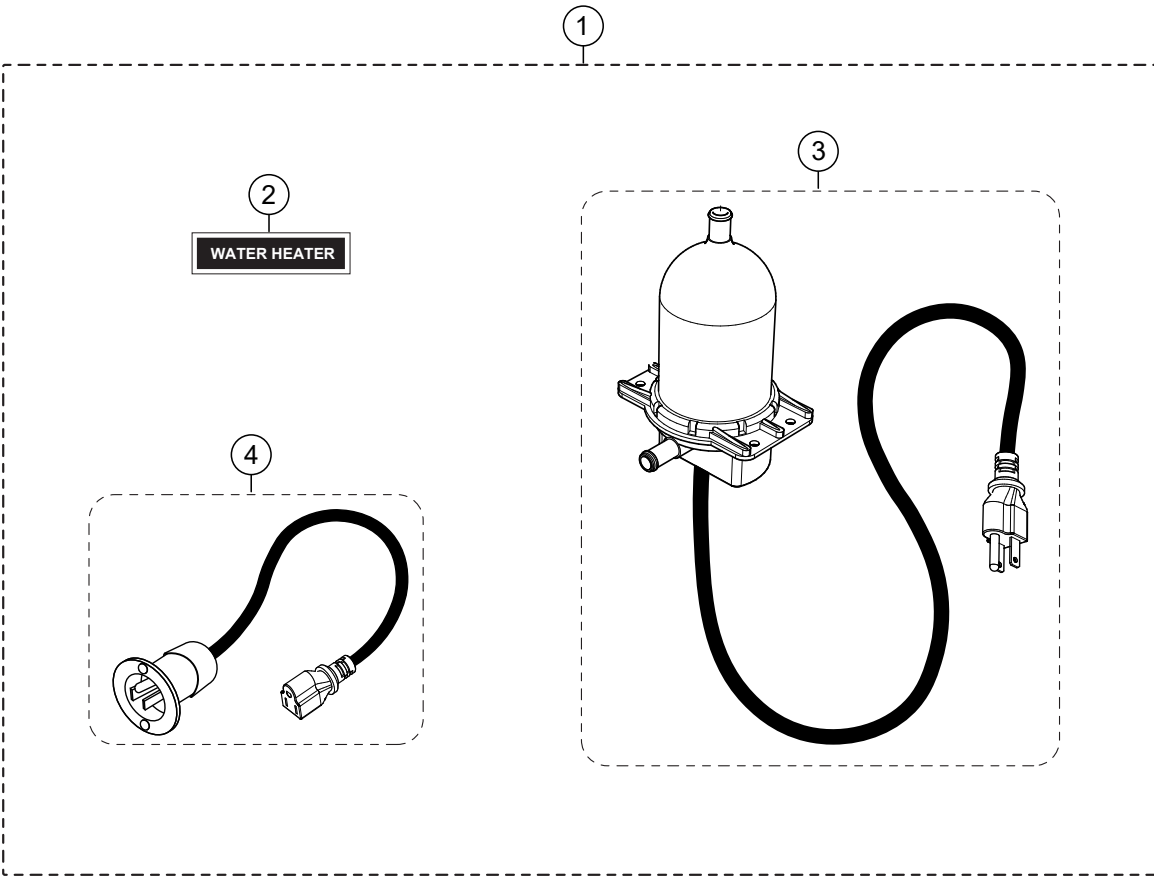
# BATTERY CHARGER ASSY. (OPTION)



## BATTERY CHARGER ASSY. (OPTION)

<u>NO.</u>	<u>PART NO.</u>	<u>PART NAME</u>	<u>QTY.</u>	<u>REMARKS</u>
1	MQPBCKIT-J	BATTERY CHARGER ASSY.....	1.....	INCLUDES ITEMS W/#
2#	EE62075	BATTERY CHARGER, 6A, 12V	1	
3#	EE62021	ADAPTER, BATTERY CHARGER, LE	1	
4#	EE62076	INLET REC. AND CORD, NEMA 5-15P	1	
5#		HEX HD. SCREW W/ WASHER, M4X12MM .....	1.....	OBTAIN LOCALLY
6#		FLAT HEAD SCREW, 10-32X1/2".....	4.....	OBTAIN LOCALLY
7#		RING TERMINAL, 5/16", 14-16AWG .....	2.....	OBTAIN LOCALLY
8#		RING TERMINAL, 3/8", 14-16AWG .....	2.....	OBTAIN LOCALLY
9#		RING TERMINAL, 1/2", 14-16AWG .....	2.....	OBTAIN LOCALLY
10#		SELF TAPPING HEX SCREW, #8 .....	4.....	OBTAIN LOCALLY
11#		ZIP TIES, #6.....	20.....	OBTAIN LOCALLY
12#	EE60983	3A BATTERY CHARGER KIT, INST.	1	
13#		HEX NUT, 10-32 .....	4.....	OBTAIN LOCALLY
14#	M1940011014Q	DECAL, BATTERY CHARGER	1	

# BLOCK HEATER ASSY. (OPTION)

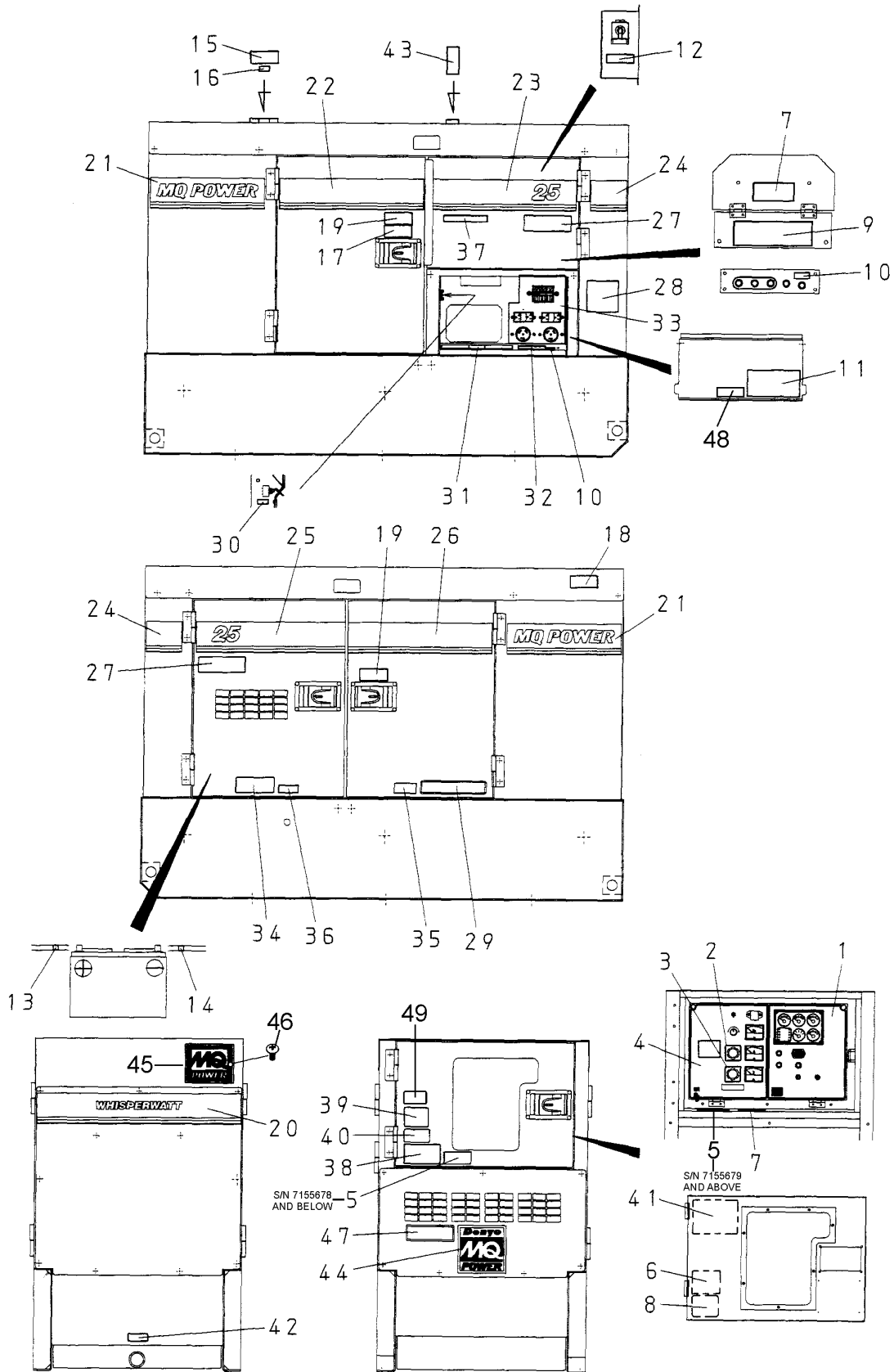


## **BLOCK HEATER ASSY. (OPTION)**

---

<u>NO.</u>	<u>PART NO.</u>	<u>PART NAME</u>	<u>QTY.</u>	<u>REMARKS</u>
1	MQPHEATTKIT-A	BLOCK HEATER, 500W .....	1.....	INCLUDES ITEMS W/#
2#	M1940011005Q	DECAL, WATER HEATER	1	
3#	TPS051GT10000	HEATER, TANK 500W	1	
4#	EE62076	INLET REC. AND CORD, NEMA 5-15P, 15A	1	

# NAMEPLATE AND DECALS ASSY.

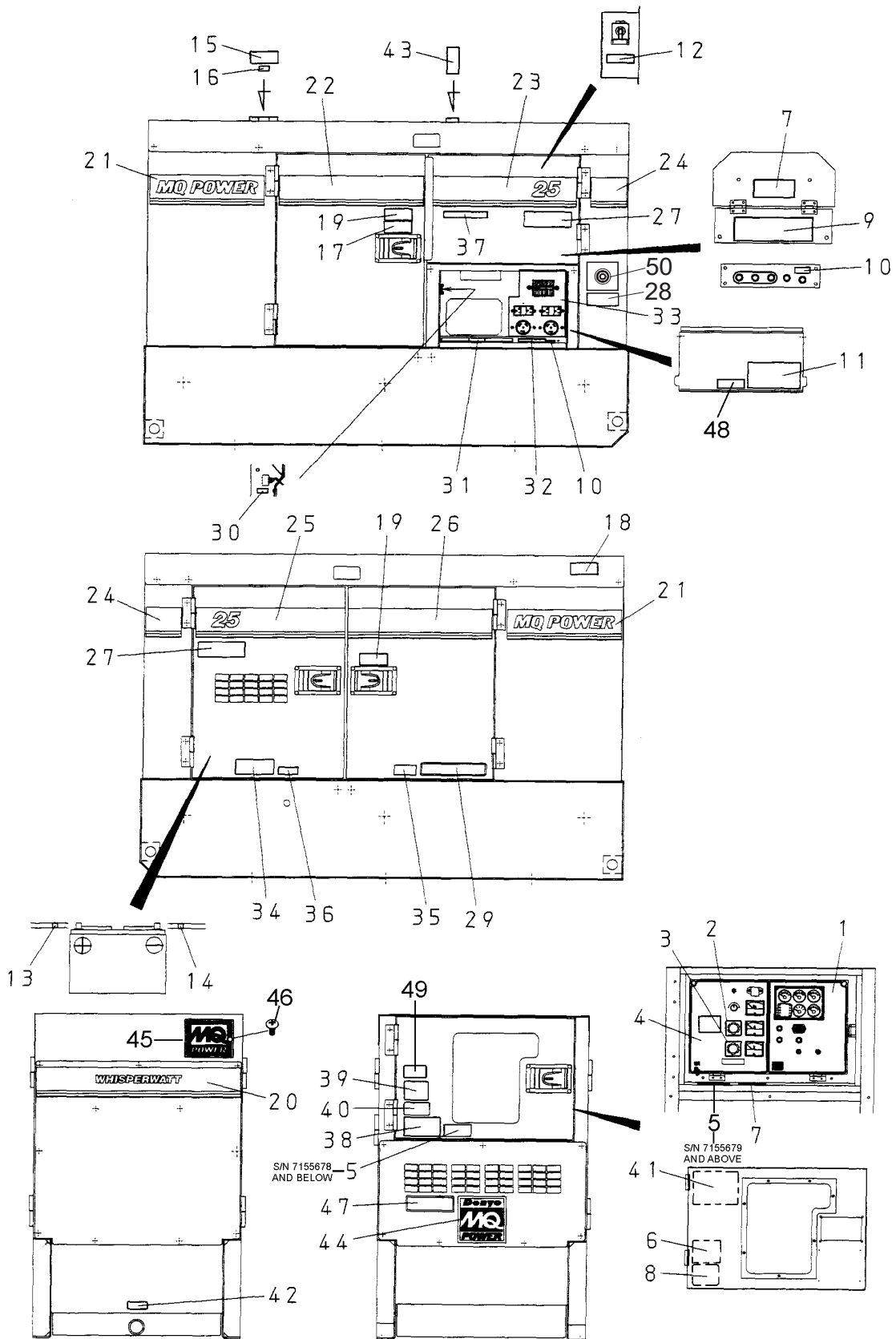




## NAMEPLATE AND DECALS ASSY.

<u>NO.</u>	<u>PART NO.</u>	<u>PART NAME</u>	<u>QTY.</u>	<u>REMARKS</u>
1	M1551000103	DECAL: ENGINE OPERATING.....	1	M15100010
2	M9520000104	DECAL: AMMETER CHANGE-OVER SW.....	1	M92000010
3	M9520000204	DECAL: VOLTMETER CHANGE-OVER SW.....	1	M92000020
4	M1551000003	DECAL: GENERATOR CONTROL .....	1	M15100000
5	M9520100704	DECAL: WARNING ARC FLASH.....	1	M92010070
6	M9520100304	DECAL: GENERAL CAUTIONS.....	1	M92010030
7	M9520100004	DECAL: WARNING ELECTRICAL SHOCK.....	2	M92010000
8	M9520200404	DECAL: O.C.R. RESET.....	1	M92020040
9	M9520200003	DECAL: CONNECTION OF OUTPUT CABLE ..	1	M92020000
10	M9520000004	DECAL: GROUNDING.....	2	M92000000
11	M9520100404	DECAL: DANGER HIGH VOLTAGE .....	1	M92010040
12	M9520100204	DECAL: CAUTION CHANGE-OVER SW.....	1	M92010020A
13	M9500300104	DECAL: + .....	1	M90030010
14	M9500300004	DECAL: - .....	1	M90030000
15	M9503100004	DECAL: WARNING RADIATOR CAP.....	1	M90310000
16	M9500100004	DECAL: WATER.....	1	M90010000
17	M9510100004	DECAL: CAUTION HIGH TEMP.....	1	M91010000
18	M9503200004	DECAL: WARNING EXHAUST GAS.....	1	M90320000
19	M9503000004	DECAL: WARNING ROTATING PART .....	2	M90300000
20	M1561100703	STRIPE	1	
21	M1561101604	STRIPE	2	
22	M1561100804	STRIPE	1	
23	M1561100903	STRIPE	1	
24	M1561101004	STRIPE	2	
25	M1561101803	STRIPE	1	
26	M1561101904	STRIPE	1	
27	M9520100603	DECAL: WARNING AUTO START .....	2	M92010060
28	M1551000404	DECAL: NOTE LOAD SHARING .....	1	M15100040
29	M9503000103	DECAL: DAILY CHECK WATER AND OIL .....	1	M90300010
30	M9520000504	DECAL: START CONTACT .....	1	M92000050
31	M9520100503	DECAL: WARNING .....	1	M92010050
32	M9511100104	DECAL: NOTE RECEPTACLE.....	1	M91110010
33	M1551001003	DECAL: AUXILIARY OUTPUT .....	1	M15100100
34	M9510100403	DECAL: WARNING BATTERY CONNECT .....	1	M91010040
35	M9501500004	DECAL: DIESEL FUEL .....	1	M90150000
36	M9500000004	DECAL: OIL DRAIN .....	1	M90000000
37	M9510000104	DECAL: DOCUMENT BOX LOCATED .....	1	M91000010
38	M9511100004	DECAL: WARNING ENVIRONMENTAL.....	1	M91110000
39	M9503200104	DECAL: DANGER EX. GAS (INDOOR).....	1	M90320010
40	920214100	DECAL: WARNING START FIRES .....	1	REPLACES P/N M9504200004
41	M2550002303	OPERATING PRECAUTIONS .....	1	M25000230
41	M1551001503	OPERATING PROCEDURES.....	1	S/N 7158568 AND BELOW
42	M9510000004	DECAL: FLUID DRAIN.....	1	S/N 7158569 AND ABOVE
43	M1550001404	CAUTION: LIFTING CAPACITY .....	1	M15000140
44	M9510200002	STICKER: MQ.....	1	M91020000
44	M9511200204	STICKER: MQ.....	1	M91120020
				S/N 7150284 AND ABOVE

# NAMEPLATE AND DECALS ASSY. (CONT'D.)



## NAMEPLATE AND DECALS ASSY. (CONT'D.)

<u>NO.</u>	<u>PART NO.</u>	<u>PART NAME</u>	<u>QTY.</u>	<u>REMARKS</u>
45	0600500092	EMBLEM	1	
46	0021106015	MACHINE SCREW	4	
47	M9511200103	TIER 4F.....	1.....	M91120010
48	M9521200604	DECAL: BONDED NEUTRAL.....	1.....	M92120060 S/N 7151824 AND ABOVE
49	M9504200104	DECAL: WARNING PROPOSITION 65.....	1.....	M90420010 S/N 7155519 AND ABOVE
50	M9521002804	DECAL: E-STOP BUTTON.....	1.....	S/N 7158569 AND ABOVE

# PARTS MANUAL

## HERE'S HOW TO GET HELP

PLEASE HAVE THE MODEL AND SERIAL  
NUMBER ON-HAND WHEN CALLING

### UNITED STATES

#### *Multiquip Inc.*

(310) 537- 3700  
6141 Katella Avenue Suite 200  
Cypress, CA 90630  
E-MAIL: [mq@multiquip.com](mailto:mq@multiquip.com)  
WEBSITE: [www.multiquip.com](http://www.multiquip.com)

### CANADA

#### *Multiquip*

(450) 625-2244  
4110 Industriel Boul.  
Laval, Quebec, Canada H7L 6V3  
E-MAIL: [infocanada@multiquip.com](mailto:infocanada@multiquip.com)

### UNITED KINGDOM

#### *Multiquip (UK) Limited Head Office*

0161 339 2223  
Unit 2, Northpoint Industrial Estate,  
Globe Lane,  
Dukinfield, Cheshire SK16 4UJ  
E-MAIL: [sales@multiquip.co.uk](mailto:sales@multiquip.co.uk)

© COPYRIGHT 2021, MULTIQUIP INC.

Multiquip Inc, the MQ logo and the MQ Power logo are registered trademarks of Multiquip Inc. and may not be used, reproduced, or altered without written permission. All other trademarks are the property of their respective owners and used with permission.

This manual MUST accompany the equipment at all times. This manual is considered a permanent part of the equipment and should remain with the unit if resold.

The information and specifications included in this publication were in effect at the time of approval for printing. Illustrations, descriptions, references and technical data contained in this manual are for guidance only and may not be considered as binding. Multiquip Inc. reserves the right to discontinue or change specifications, design or the information published in this publication at any time without notice and without incurring any obligations.

Manufactured for  
MQ Power Inc.  
by  
DENYO MANUFACTURING CO.

